



# SPECIFICATION SHEET : SC-120-113-CFL

This Is An Original Product From Fulham Co., Inc

**Description : PONY Series, High Frequency Electronic, Rapid Start Ballast,  
\* Meets Energy Star 4.0 Criteria For Applications Listed.**

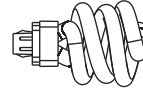
**This Ballast Will Operate Following Lamps.**



13WQUAD(CFQ/E), 4 PIN



F15T8

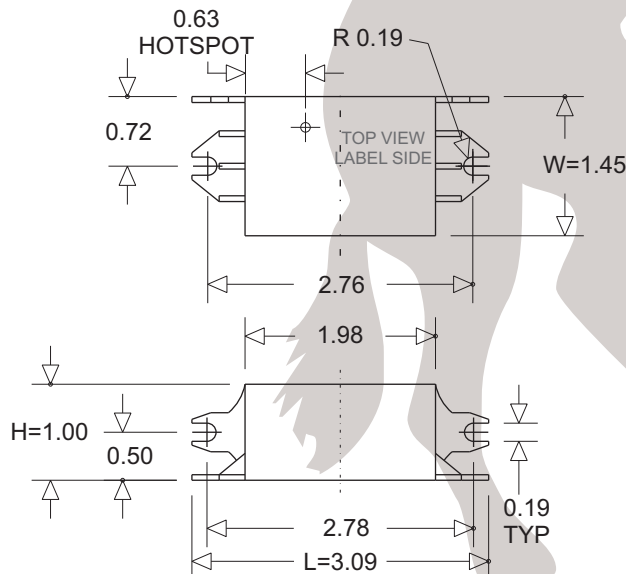


13W SPIRAL I

## ELECTRICAL DATA

INPUT VOLT: 120V ± 10%, 50/60Hz								
LAMP WATTS/TYPE	*13CFQ/E	F15T8	F17T8	13W Spiral	-	-	-	-
LAMPS OPERATED	1							
INPUT WATTS	15.00	15.22	15.63	14.22				
LINE CURRENT:	0.237	0.236	0.233	0.205				
POWER FACTOR	0.53	0.54	0.59	0.57				
BALLAST FACTOR	0.97	1.03	1.00	1.08				
EFFICACY FACTOR	6.54	6.78	6.37	7.58				
THD	154.4%	153.8%	143.5%	132.7%				
CURRENT CREST FACTOR	< 1.7							
EMI/RFI COMPLIANCE	FCC PART 18-B (Consumer)							
SOUND RATING	" A "							
BALLAST TYPE	RAPID START							
VOLTAGE TRANSIENTS	ANSI 62.41							
INPUT/PROTECTION	FUSE							
OUTPUT/PROTECTION	EOL							
MIN. OPERATING TEMP	0 °C ( 32 °F )							
MAX. CASE TEMP	75 °C ( 167 °F )							
ENERGY STAR 4.0	YES							
APPROVALS/CLASS	UL /cUL LISTED, CLASS " P ", 1 OUTDOOR							

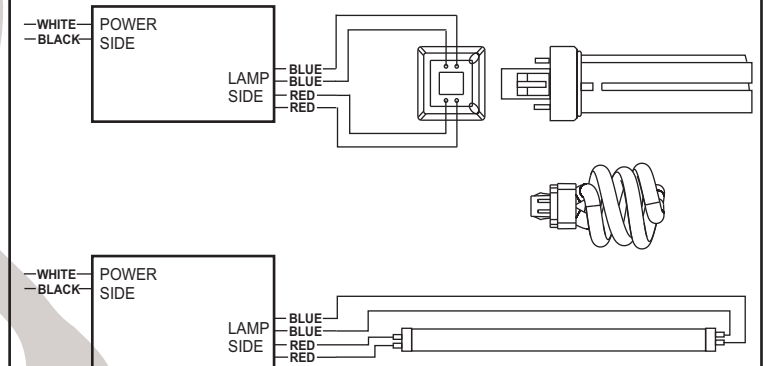
### MECHANICAL DATA



Where : L = Length, W = Width, H = Height

### WIRING DIAGRAMS

WIRE	BLACK	WHITE	RED	BLUE	YELLOW	BROWN
LENGTH - INCHES	12 ± 1"	12 ± 1"	12 ± 1"	12 ± 1"		



**NOTE : This Plastic Case Ballast Does Not Require Grounding**

Fulham Co., Inc extends limited warranty only to the original purchaser or to the first user for the period of 2 years from the date of manufacture as indicated by the date code stamped on each product and when properly installed and under normal conditions of use. For additional warranty guide line, please refer to our Complete Product Catalog OR call Customer Service at 1-800-2-Fulham.

DUE TO A PROGRAM OF CONTINUOUS IMPROVEMENT, FULHAM Co., INC RESERVES THE RIGHT TO MAKE ANY VARIATION IN DESIGN OR CONSTRUCTION TO THE EQUIPMENT DESCRIBED.

Address : 12705 South Van Ness Ave., Hawthorne, CA 90250 Tel.: 1-800-2-fulham, Fax.: 1-323-754-9060. Website: [www.fulham.com](http://www.fulham.com)

2006-17 rev D