



LED LAMPS

ProLED **LED-Plug-ins**

High performance LED Plug-ins are energy efficient, long lasting replacements for traditional compact fluorescent in downlight and sconce applications



Contact Your Customer Care Specialist
For Pricing, Orders And Technical Support.
800.677.3334 www.halcolighting.com

ProLED[®]

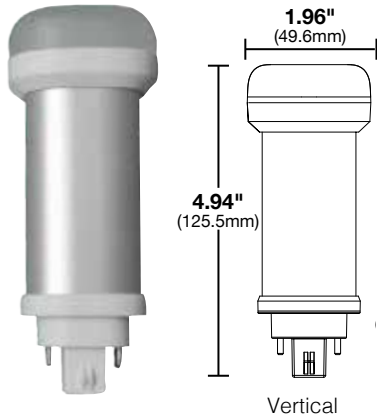
LED Direct Plug-ins

Product #: _____ Type: _____

Project: _____ Date: _____

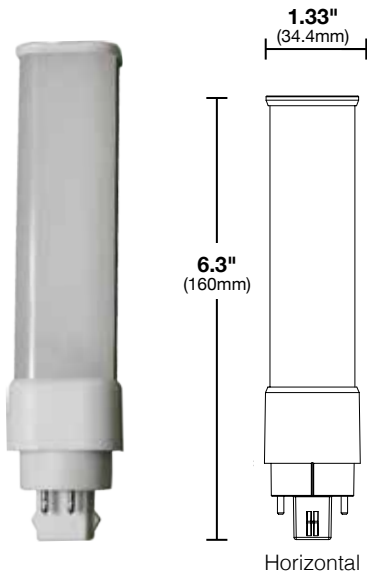
Comments: _____ Initials: _____

PL12V/XXX/DIR/LED2



Vertical

PL12H/XXX/DIR/LED2



Horizontal



50,000 Hours



120-277V



Dimmable



Instant On



DLC QPL Listed

ProLED Plug-in lamps are long-lasting, energy efficient replacements for CFL lamps with 4-pin G24q bases without any fixture re-wiring.

Specifications

- Dedicated horizontal and vertical orientation versions (horizontal features rotatable socket alignment)
- Lasts 5 times longer than CFL
- Electronic CFL ballast compatible
- 50,000 hour life resulting in lower maintenance costs over time
- Horizontal lamp base rotates for proper orientation in luminaire
- Works with existing 26W, 32W and 42W electronic CFL ballasts
- Mercury-free for safer operation and disposal
- RoHS Compliant
- Fits G24q and GX24q Sockets (26, 32, and 42W CFL) (4-Pin sockets)
- Dimmable when used with a compatible dimming ballast (0-10V)
- -20°C (-4°F) to 45°C (113°F) operating temperatures
- UL classified 1598C Retrofit Kit
- Instant-On
- 5-year warranty
- 120-277V

Ordering Information



Watt	Base	Product #	Product Code	Color Temp.	CRI	Lumens	Useful Life*	Pkg. Qty.	MOL	DLC Qualified	DLC Code	Wattage Equivalent
Vertical												
12 Watt	G24q/GX24q	82112	PL12V/835/DIR/LED2	3500K	82	1200	50,000	1/25	4.60"	Yes	PL1D2DEXZQ4K	26
12 Watt	G24q/GX24q	82113	PL12V/840/DIR/LED2	4000K	82	1200	50,000	1/25	4.60"	Yes	PLH0RTQ1C29S	26
12 Watt	G24q/GX24q	82114	PL12V/850/DIR/LED2	5000K	82	1200	50,000	1/25	4.60"	Yes	PLKR0T6ALBE2	26
Horizontal												
12 Watt	G24q/GX24q	82117	PL12H/835/DIR/LED2	3500K	82	1200	50,000	1/25	6.30"	Yes	PL0EB3R4FHPPF	26
12 Watt	G24q/GX24q	82118	PL12H/840/DIR/LED2	4000K	82	1200	50,000	1/25	6.30"	Yes	PLRP96KP380H	26
12 Watt	G24q/GX24q	82119	PL12H/850/DIR/LED2	5000K	82	1200	50,000	1/25	6.30"	Yes	PLYTZ0JM554V	26

* Useful Life is defined as the point in time at which the LED will maintain at least 70% of its initial lumens. The LED will continue to operate past this point at decreased light levels. May not be compatible with all dimming systems, dimming performance may vary by system, please visit www.halcolighting.com/ProLEDdim for dimmer compatibility information.

** Check the latest update at www.DesignLights.org for listed product catalog numbers. All versions may not be listed.

ProLED[®]

LED Bypass Plug-ins

Product #: _____ Type: _____

Project: _____ Date: _____

Comments: _____ Initials: _____

PL10V/8XX/BYP/LED



PL10H/8XX/BYP/LED



50,000 Hours



120-277V



Instant On

ProLED Bypass Plug-In lamps are long-lasting energy efficient lamps that perform without ballasts.

Specifications

- Requires simple re-wiring to bypass ballast and maximize efficiency
- 50,000 hour life resulting in lower maintenance costs over time
- Vertical and horizontal lamps available
- Horizontal socket rotates for proper orientation in luminaire
- Mercury-free for safer operation and disposal
- RoHS Compliant
- Fits G24q, GX24q, G24d, and GX24d Sockets (2 and 4 pin sockets)
- UL listed for damp locations
- Rated for ICAT fixtures
- Instant-On
- 5-year warranty
- 120-277V

Ordering Information



Watt	Base	Product #	Product Code	Color Temp.	CRI	Lumens	Useful Life*	Pkg. Qty.	MOL	Wattage Equivalent
Vertical										
10 Watt	G24q/GX24q/G24d/GX24d	81141	PL10V/835/BYP/LED	3500K	82	1000	50,000	1/10	4.60"	26
10 Watt	G24q/GX24q/G24d/GX24d	81142	PL10V/841/BYP/LED	4100K	82	1000	50,000	1/10	4.60"	26
10 Watt	G24q/GX24q/G24d/GX24d	81143	PL10V/850/BYP/LED	5000K	82	1000	50,000	1/10	4.60"	26
Horizontal										
10 Watt	G24q/GX24q/G24d/GX24d	81144	PL10H/835/BYP/LED	3500K	82	1000	50,000	1/10	5.20"	26
10 Watt	G24q/GX24q/G24d/GX24d	81145	PL10H/841/BYP/LED	4100K	82	1000	50,000	1/10	5.20"	26
10 Watt	G24q/GX24q/G24d/GX24d	81146	PL10H/850/BYP/LED	5000K	82	1000	50,000	1/10	5.20"	26

* Useful Life is defined as the point in time at which the LED will maintain at least 70% of its initial lumens. The LED will continue to operate past this point at decreased light levels. May not be compatible with all dimming systems, dimming performance may vary by system, please visit www.halcolighting.com/ProLEDdim for dimmer compatibility information.

ProLED[®]

LED Hybrid Plug-Ins

Product #: _____ Type: _____

Project: _____ Date: _____

Comments: _____ Initials: _____



50,000 Hours



120-277V



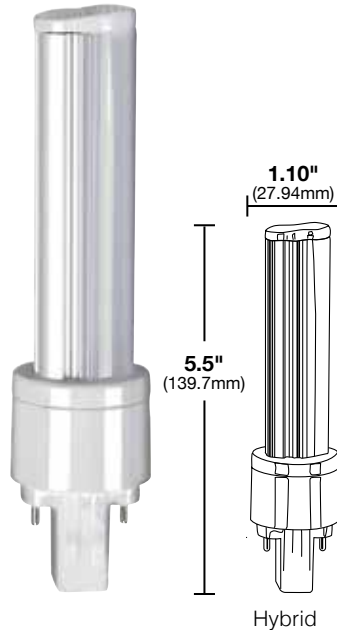
Instant On

The PL6H is a six watt solution that is great for residential and commercial applications.

Specifications

- Magnetic CFL ballast compatible or bypass with simple rewiring from the same lamp
- Lasts 5 times longer than CFL
- 50,000 hour life resulting in lower maintenance costs over time
- Lamp base rotates for proper orientation in luminaire
- Mercury-free for safer operation and disposal
- RoHS Compliant
- Fits G23 and GX23 bases (2-Pin sockets)
- -20°C (-4°F) to 45°C (113°F) operating temperatures
- UL classified 1598C Retrofit Kit
- Instant-On
- 5-year warranty
- 120-277V

PL6H/8XX/HYB/LED



Ordering Information



Watt	Base	Product #	Product Code	Color Temp.	CRI	Lumens	Useful Life*	Pkg. Qty.	MOL	Wattage Equivalent
6 Watt	GX23	81159	PL6H/827/HYB/LED	2700K	82	520	50,000	1/10	5.5"	13
6 Watt	GX23	81160	PL6H/830/HYB/LED	3000K	82	520	50,000	1/10	5.5"	13
6 Watt	GX23	81161	PL6H/835/HYB/LED	3500K	82	520	50,000	1/10	5.5"	13
6 Watt	GX23	81162	PL6H/840/HYB/LED	4000K	82	520	50,000	1/10	5.5"	13
6 Watt	GX23	81163	PL6H/850/HYB/LED	5000K	82	520	50,000	1/10	5.5"	13

* Useful Life is defined as the point in time at which the LED will maintain at least 70% of its initial lumens. The LED will continue to operate past this point at decreased light levels. May not be compatible with all dimming systems, dimming performance may vary by system, please visit www.halcolighting.com/ProLEDdim for dimmer compatibility information.



Halco Lighting Technologies 2940 Pacific Drive | Norcross, GA 30071 | Toll Free 800.677.3334 | Phone 770.242.3612 | Fax 800.880.0822 | halcolighting.com

Atlanta | Carlstadt | Chicago | Cleveland | Houston | Los Angeles | Phoenix

© 2017 Halco Lighting Technologies, LLC. All rights reserved. Halco and ProLED are registered trademarks of Halco Lighting Technologies. All sizes and specifications are subject to change. 11-17-17. Re-order #9298