



FHEM10



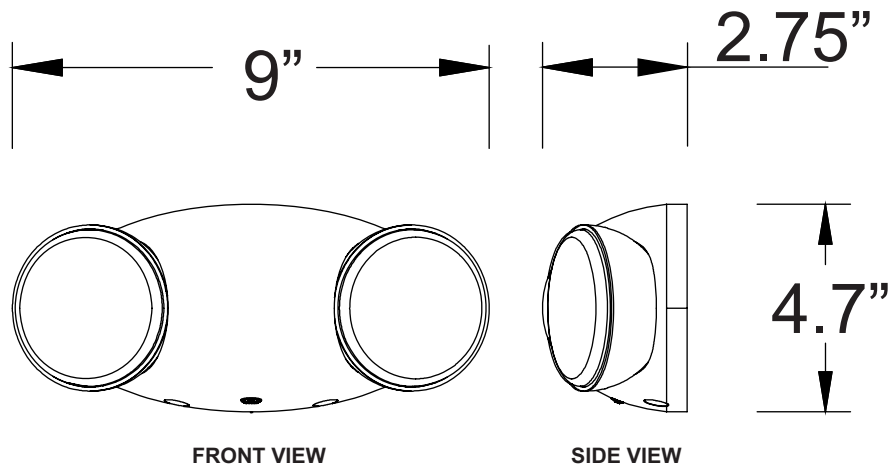
Thermoplastic Micro Adjustable Emergency Lights

- Push-to-test switch
- LED charge indicator
- Ni-Cad premium battery
- Dual voltage 120V/277V
- Specification grade design
- Universal mount
- Long life energy saving LED light source
- Fully adjustable glare free 1.55W LED heads (1.64W heads on High Lumen model)
- Universal mounting pattern knockout in backplate for J-box mounting
- Snap fit construction speeds installation

General Specifications

Input Voltage	120/277VAC
Input Current (120V)	89.8mA
Input Current (277V)	73.6mA
Input Power (120V)	0.56W
Input Power (277V)	0.54W
Operating Frequency	60Hz
Operating Ambient Temperature Range (Ta)	20°C to 30°C / 68°F to 86°F
Max Initial Light Output	148 lumens standard model 264 lumens high output model
Overall Size	9" L x 4.7" H x 2.75" W
Emergency Operation	90 minutes
Compliance	UL 924 Listed CEC Title 20 Damp Location
Warranty	5 years from the date of manufacture

Mechanical Data



Part Number Matrix

FHEM10

W

Case Color
W = White
B = Black

Options
Blank = Standard
H = High Output