

Y-HOOK Hanger

Mounting instructions for TCP lighting fixtures, using Y-Hook hangers.

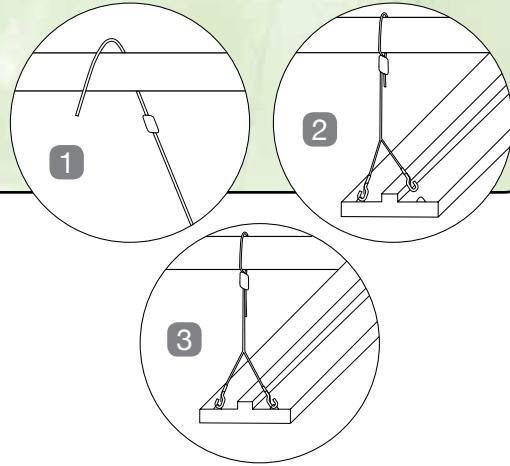
Item Number	Description
TCPYHOOKX10FT	Y-Hook 10 Foot Hanging Kit
TCPYHOOKX20FT	Y-Hook 20 Foot Hanging Kit

TCPYHOOKX10FT

Components included with each kit:

- 2 - 10' or 20' Aircraft Cable with 'Y' split and two hooks
- 2 - Grip Fastener

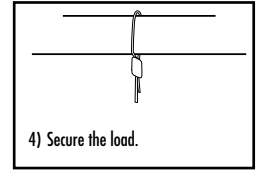
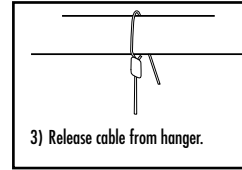
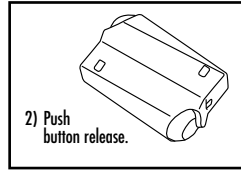
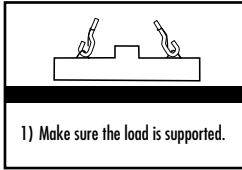
Recommended use for:
Modified Green Hi-Bay
Sky Bay
Polar Bay
Available in stainless.



Mounting Instructions:

- 1) Thread hanger onto grip and pass over ceiling anchor point.
- 2) Pass tail end of cable through the other channel of the hanger and with fixture supported, snap hooks onto fixture
- 3) Adjust to proper height by pulling cable through either end of the hanger.

How to use release key to adjust fixture



EZHANGER

EZHANGER for TCP High Bay Fixtures

- Use for dual point hanging
- TCP Item Number: EZHANGER

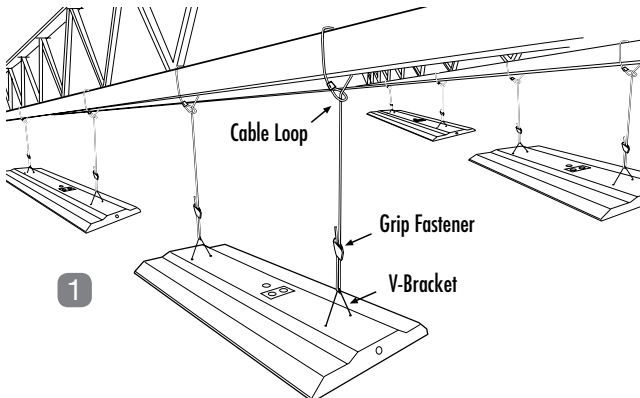
EZHANGER

Components included with each kit:

- 2 - 15' #2 Aircraft Cable with crimped loop
- 2 - Grip Fastener

Recommended use for:
Elite
Power Cage
Power Strip
Available in stainless.

Mounting Instructions:



- 1) Attach V-Bracket to fixture body through pre-punched holes
- 2) Loop cable around strut, joist, eye-bolt or solid ceiling structure
- 3) Feed cable through grip fastener and adjust to desired mounting height

