



342 SERIES



LED



34211 | WHITE



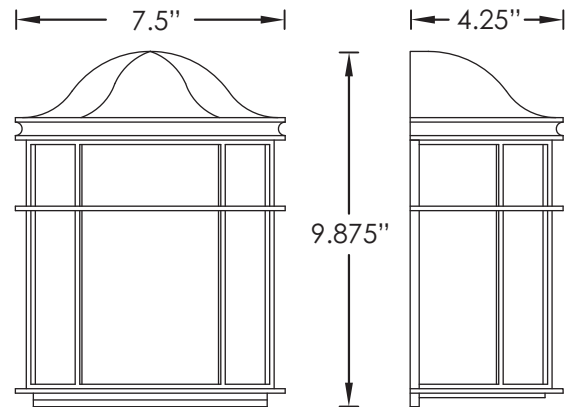
34215 | BLACK



34217 | ULTRA CHROME †

**STANDARD SPECIFICATIONS**

<b>Housing</b>	Corrosion Resistant Die-Cast Aluminum (Specify Finish)
<b>Lens</b>	White Smooth Polycarbonate
<b>Certification</b>	Damp Location Listed
<b>Mounting</b>	Wall Mount
<b>Feature</b>	Closed Top & Open Bottom Design



**REPLACEMENT PARTS**

**LENS-3421** | White Smooth Polycarbonate Lens

PRODUCT FAMILY	LENS TYPE	FINISH	MODELS	FEATURES & OPTIONS*
342	1			



1 - White

1 - White †

3 - Brushed Rust †

3B - Bronze †

4 - Brushed Verde †

5 - Black

7 - Ultra Chrome †

8 - Gold Pewter †

9 - Aged Brass †

C - Custom †

6LED

120-277V, 50/60Hz Electronic, Non-Dimmable  
13 Watts, 855 Lumens, >82CRI  
**Options: 30K, 35K, 40K, PE**

10LEDGU

120V, 60Hz Electronic, Triac Dimmable to 10%  
9 Watts, 800 Lumens, GU24 Base  
**Options: 27K, 30K, 40K, PE**

12LEDGU

120V, 60Hz Electronic, Triac Dimmable to 10%  
11 Watts, 1100 Lumens, GU24 Base  
**Options: 27K, 30K, 40K, PE**

13LED-120

120V, 50/60Hz Electronic, 120V Dimmable  
13 Watts, 900 Lumens, >80CRI, Energy Star  
Listed **Options: 30K, 40K, PE**

14LED

120-277V, 50/60Hz Electronic, Non-Dimmable  
12 Watts, 1100 Lumens, >81CRI  
**Options: 30K, 35K, 40K, DIM, PE**

17LEDGU

120V, 60Hz Electronic, Triac Dimmable to 10%  
15 Watts, 1600 Lumens, GU24 Base  
**Options: 27K, 30K, 40K, PE**

**OPTION LEGEND**

<b>27K</b>	2700 Kelvin Warm White Light Temperature
<b>30K</b>	3000 Kelvin Warm White Light Temperature
<b>35K</b>	3500 Kelvin Medium White Light Temperature
<b>40K</b>	4000 Kelvin Cool White Light Temperature
<b>DIM</b>	Dimming Driver
<b>PE</b>	Photocell (120V Only)

\* May not be available in all wattages or combinations, please call factory.  
† Additional lead time may apply.