

LED



33161 | WHITE

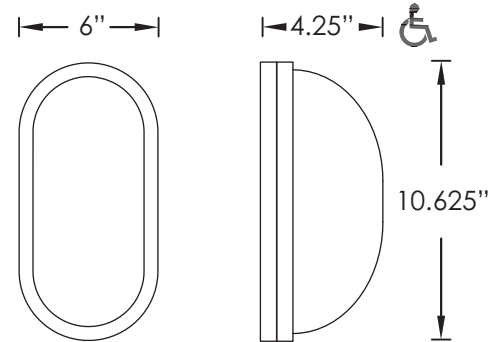
331 SERIES



33165 | BLACK

STANDARD SPECIFICATIONS

Housing	Commercial Grade Aluminum (Specify Finish)
Frame	Impact Resistant Polycarbonate
Lens	UV Stabilized Frosted Polycarbonate
Certification	Wet Location Listed
Mounting	Wall Mount Only



REPLACEMENT PARTS

LENS-3306	UV Stabilized Frosted Polycarbonate Lens
FRAME-33161	White Polycarbonate Ring
FRAME-33165	Black Polycarbonate Ring

PRODUCT FAMILY	LENS TYPE	FINISH	MODELS	FEATURES & OPTIONS*
331	6			



6 - Frosted

1 - White

5 - Black

OPTION LEGEND	
27K	2700 Kelvin Warm White Light Temperature
30K	3000 Kelvin Warm White Light Temperature
40K	4000 Kelvin Cool White Light Temperature
PE	Photocell (120V Only)

9LED	120-277V, 60Hz Electronic, Energy Star Listed 11.3 Watts, 900 Lumens, >80 CRI Options: 40K, PE
10LEDGU	120V, 60Hz Electronic, Triac Dimmable to 10% 9 Watts, 800 Lumens, GU24 Base Options: 27K, 30K, 40K, PE
12LEDGU	120V, 60Hz Electronic, Triac Dimmable to 10% 11 Watts, 1100 Lumens, GU24 Base Options: 27K, 30K, 40K, PE
13LED-120	120V, 50/60Hz Electronic, 120V Dimmable 13 Watts, 900 Lumens, >80CRI, Energy Star Listed Options: 30K, 40K, PE

ADA Compliant

* May not be available in all wattages or combinations, please call factory.