

Features & Benefits

- NSF 2 Rated with ArmorCoat Shatterproof Technology
- No rewiring needed
- Works with fluorescent electronic ballast (Instant Start, Programmed Start, and Dimming)*
- Long life
- High CRI
- Instant on, no delay
- Convenient and quick installation
- Utilizes existing instant start or rapid start sockets
- Compatible with controls and sensors
- Dimmable
- Works in cold temperature applications
- Glass tube for superior optical performance
- Wide View Angle
- 5 Year Warranty
- New Version with Integrated ArmorCoat For use in food areas and refrigerated food displays



* EMERGENCY BALLAST RESTRICTIONS



RetroFlex™
LED T8 LAMP • Simplicity.
Commercial Grade LED T8 Lamp

Specification Data

Order Code	Length	Lamp Power	System Power	CCT	Initial Lumens	CRI	Beam Angle	Lamp Efficacy	System Efficacy	Life	DLC
L60T8/SL/835/15G-EB	60	15	18	3500K	2200	83	325	135	120	50000	No
L60T8/SL/840/15G-EB	60	15	18	4000K	2200	83	325	135	120	50000	No
L60T8/SL/850/15G-EB	60	15	18	5000K	2200	83	325	135	120	50000	No

* Based on Normal Ballast Factor.

Ordering Information

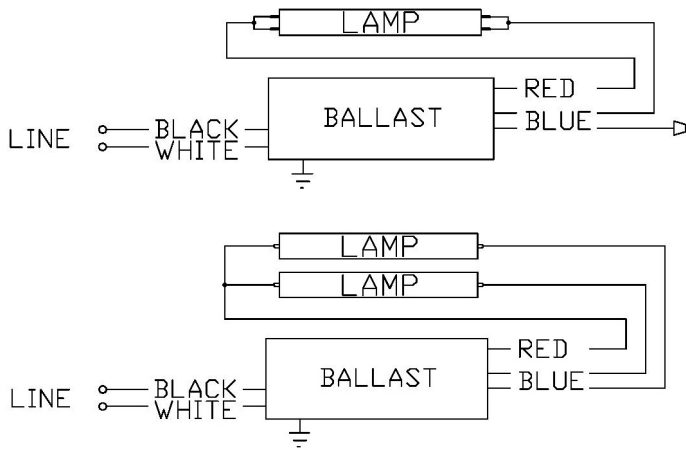
EXAMPLE: **L48T8/840/15G-EB-AC**

L	48	T8	8	40	15 G	- EB	- AC
Manufacturer's Code	Normal Length 48=48"	Lamp Shape T8=T8	CRI 8=>80	CCT 50 =5000K 40 =4000K 35 =3500K	Wattage 15G-15W	Electronic Ballast Compatible	ArmorCoat Shatterproof Coating

* Not compatible with products equipped with battery backup and/or emergency ballasts.

* Please refer to "Ballast Compatibility List" on Related Downloads.

Wiring Diagram



Specification data is based on tests performed in a controlled environment and represents relative performance. Actual performance can vary depending on operating conditions. Application and performance data subject to change without notice. All specifications are nominal unless noted otherwise.