

Features & Benefits

- NSF 2 Rated with ArmorCoat Shatterproof Technology
- No rewiring needed
- Works with fluorescent electronic ballast (Instant Start, Programmed Start, and Dimming)*
- Long life
- High CRI
- Instant on, no delay
- Convenient and quick installation
- Utilizes existing instant start or rapid start sockets
- Compatible with controls and sensors
- Dimmable
- Works in cold temperature applications
- Glass tube for superior optical performance
- Wide View Angle
- 5 Year Warranty
- New Version with Integrated ArmorCoat For use in food areas and refrigerated food displayers



* EMERGENCY BALLAST RESTRICTIONS



RetroFlex™
LED T8 LAMP • Simplicity.
Commercial Grade LED T8 Lamp

Specification Data

| Order Code | Length | Lamp Power | System Power | CCT | Initial Lumens | CRI | Beam Angle | Lamp Efficacy | System Efficacy | Life | DLC |
|--------------------|--------|------------|--------------|-------|----------------|-----|------------|---------------|-----------------|-------|-----|
| L96T8HO/835/42G-EB | 96 | 42 | 45 | 3500K | 5500 | 83 | 325 | 135 | 120 | 50000 | No |
| L96T8HO/840/42G-EB | 96 | 42 | 45 | 4000K | 5500 | 83 | 325 | 135 | 120 | 50000 | No |
| L96T8HO/850/42G-EB | 96 | 42 | 45 | 5000K | 5500 | 83 | 325 | 135 | 120 | 50000 | No |

* Based on Normal Ballast Factor.

Ordering Information

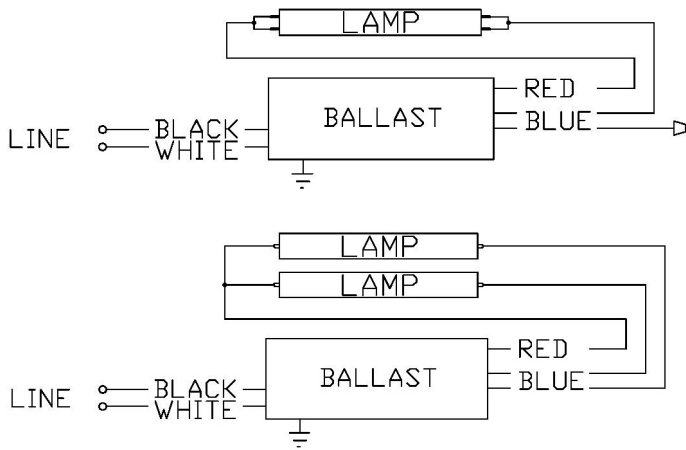
EXAMPLE: **L48T8/840/15G-EB-AC**

| L | 48 | T8 | 8 | 40 | 15 G | - EB | - AC |
|---------------------|-------------------------|---------------------|--------------|---|--------------------|----------------------------------|-----------------------------------|
| Manufacturer's Code | Normal Length 48=48" | Lamp Shape T8=T8 | CRI 8=>80 | CCT 50 =5000K 40 =4000K 35 =3500K | Wattage 15G-15W | Electronic Ballast Compatible | ArmorCoat Shatterproof Coating |

* Not compatible with products equipped with battery backup and/or emergency ballasts.

* Please refer to "Ballast Compatibility List" on Related Downloads.

Wiring Diagram



Specification data is based on tests performed in a controlled environment and represents relative performance. Actual performance can vary depending on operating conditions. Application and performance data subject to change without notice. All specifications are nominal unless noted otherwise.