

### Features & Benefits

- NSF 2 Rated with ArmorCoat Shatterproof Technology
- No rewiring needed
- Works with fluorescent electronic ballast (Instant Start, Programmed Start, and Dimming)\*
- Long life
- High CRI
- Instant on, no delay
- Convenient and quick installation
- Utilizes existing instant start or rapid start sockets
- Compatible with controls and sensors
- Dimmable
- Works in cold temperature applications
- Glass tube for superior optical performance
- Wide View Angle
- 5 Year Warranty
- New Version with Integrated ArmorCoat For use in food areas and refrigerated food displays



\* EMERGENCY BALLAST RESTRICTIONS



**RetroFlex™**  
LED T8 LAMP • Simplicity.  
Commercial Grade LED T8 Lamp

### Specification Data

Order Code	Length	Lamp Power	System Power	CCT	Initial Lumens	CRI	Beam Angle	Lamp Efficacy	System Efficacy	Life	DLC
L48T8/835/15G-EB-AC	48	16	19	3500K	2200	82	325	135	115	50000	Yes
L48T8/840/15G-EB-AC	48	16	19	4000K	2200	82	325	135	115	50000	Yes
L48T8/850/15G-EB-AC	48	16	19	5000K	2200	82	325	135	115	50000	Yes

\* Based on Normal Ballast Factor.

### Ordering Information

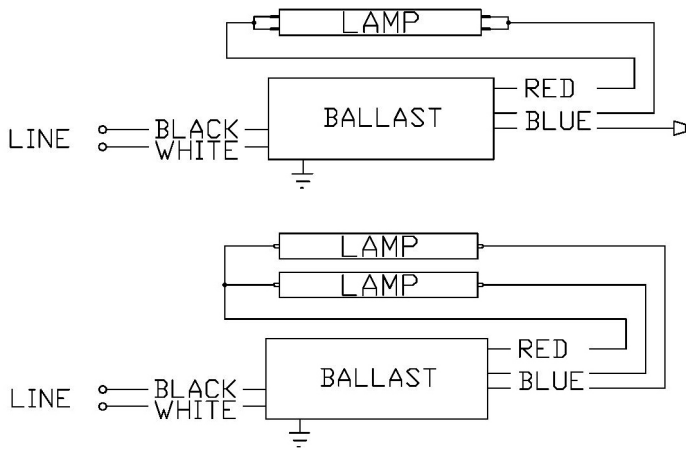
EXAMPLE: **L48T8/840/15G-EB-AC**

<b>L</b>	<b>48</b>	<b>T8</b>	<b>8</b>	<b>40</b>	<b>15 G</b>	<b>- EB</b>	<b>- AC</b>
<b>Manufacturer's Code</b>	<b>Normal Length</b> 48=48"	<b>Lamp Shape</b> T8=T8	<b>CRI</b> 8=>80	<b>CCT</b> 50 =5000K 40 =4000K 35 =3500K	<b>Wattage</b> 15G-15W	<b>Electronic Ballast</b> Compatible	<b>ArmorCoat Shatterproof Coating</b>

\* Not compatible with products equipped with battery backup and/or emergency ballasts.

\* Please refer to "Ballast Compatibility List" on Related Downloads.

Wiring Diagram



Specification data is based on tests performed in a controlled environment and represents relative performance. Actual performance can vary depending on operating conditions. Application and performance data subject to change without notice. All specifications are nominal unless noted otherwise.