

## Features & Benefits

- Assembled in USA
- No rewiring needed
- Works with fluorescent electronic ballast (Instant Start, Programmed Start, and Dimming)\*
- Long life
- High CRI
- Instant on, no delay
- Convenient and quick installation
- Utilizes existing instant start or rapid start sockets
- Compatible with controls and sensors
- Dimmable
- Works in cold temperature applications
- Super wide view angle
- 5 Year Warranty
- High performance plastic series



\* EMERGENCY BALLAST RESTRICTIONS



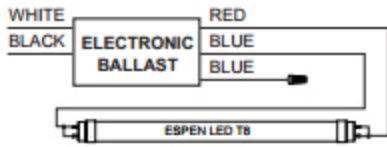
**RetroFlex™**  
LED T8 LAMP • Simplicity.  
Commercial Grade LED T8 Lamp

## Specification Data

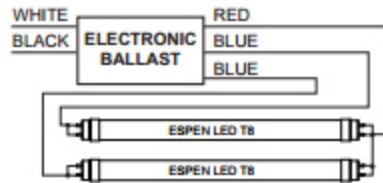
Order Code	Length	Lamp Wattage	System Wattage	CCT	Initial Lumens	CRI	Beam Angle	Lamp Efficacy	System Efficacy	Life	DLC
L48T8/835/12P-EB	48	12	14	3500K	1800	83	325	135	125	50000	Yes
L48T8/840/12P-EB	48	12	14	4000K	1800	83	325	135	125	50000	Yes
L48T8/850/12P-EB	48	12	14	5000K	1800	83	325	135	125	50000	Yes

## Wiring diagram

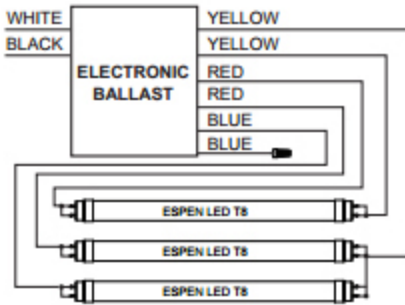
### 1-LAMP Instant Start Electronic Ballast



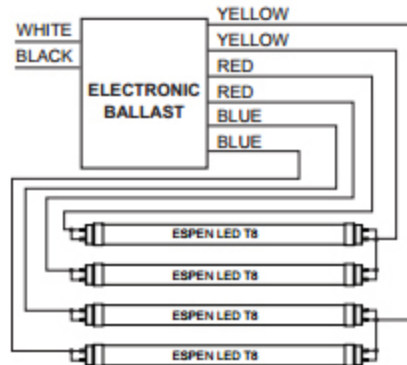
### 2-LAMP Instant Start Electronic Ballast



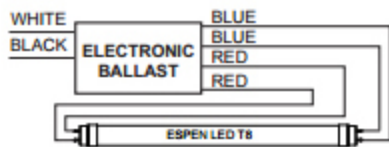
### 3-LAMP Instant Start Electronic Ballast



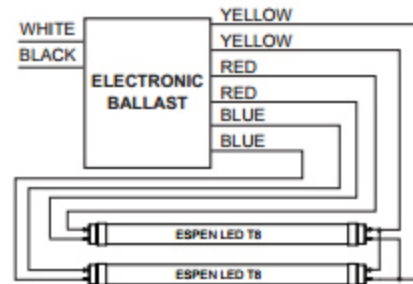
### 4-LAMP Instant Start Electronic Ballast



### 1-LAMP Programmed Start Electronic Ballast



### 2-LAMP Programmed Start Electronic Ballast



\* Not compatible with products equipped with battery backup and/or emergency ballasts.

\* Please refer to "Ballast Compatibility List" on Related Downloads.

Specification data is based on tests performed in a controlled environment and represents relative performance. Actual performance can vary depending on operating conditions. Application and performance data subject to change without notice. All specifications are nominal unless noted otherwise.