



Features

- Advanced dimming with Pro-DIM technology: 0-10V and/or AB dimming
- No Polarity: lamp ends can be reversed
- Same wiring as fluorescent lamp/ballast system
- UL 1598C for safety
- Full glass as fluorescent T8
- No Mercury, No UV
- Suitable for Dry and Damp Locations
- Low Temperature Operation
- Instant On
- 50,000 hours with no limitation on On/Off Cycles
- 5-year Warranty
- Evaluated for use in totally enclosed, recessed luminaires, surface mount wall and ceiling luminaires, outdoor luminaires (open surface mount luminaires with compartment protection from weather)
- For use with Class 2 driver only

CoreTech LED Series

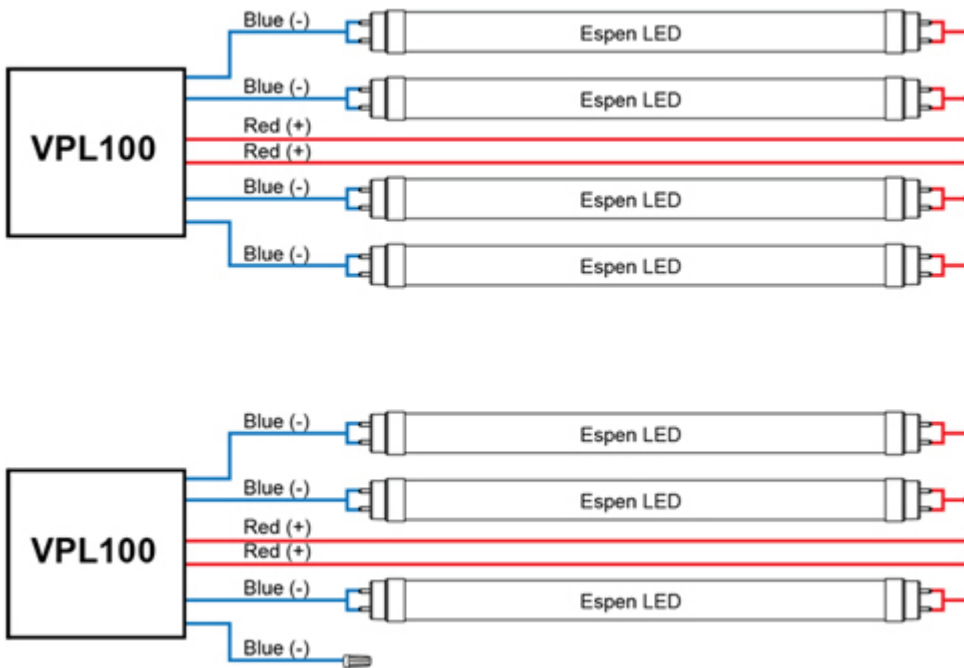
PRODUCT SPECIFICATIONS



Model	Mode	System Wattage	Lamp Wattage	Length	CRI	Initial Lumens	System Efficacy (lm/W)	Beam Angle	CCT	DLC
L36T8/835/11G-XT	Normal	14	11	36"	82	1600	115	325°	3500K	No
L36T8/840/11G-XT	Normal	14	11	36"	82	1600	115	325°	4000K	No
L36T8/850/11G-XT	Normal	14	11	36"	82	1600	115	325°	5000K	No
L36T8/835/11G-XT	High	16	13	36"	82	1900	118	325°	3500K	No
L36T8/840/11G-XT	High	16	13	36"	82	1900	118	325°	4000K	No
L36T8/850/11G-XT	High	16	13	36"	82	1900	118	325°	5000K	No

Wiring diagram





Specification data is based on tests performed in a controlled environment and represents relative performance. Actual performance can vary depending on operating conditions. Application and performance data subject to change without notice. All specifications are nominal unless noted otherwise.

Espen Technology, Inc. | 12257 Florence Avenue | Santa Fe Springs, CA 90670 | Phone: (562) 529-2938 | Fax: (562) 529-2978
Toll Free: (866) 933-7736 | Email: info@espentech.com | www.espentech.com