

FLUORESCENT



339 SERIES



33911  
WHITE | WHITE



33991  
CLEAR | WHITE



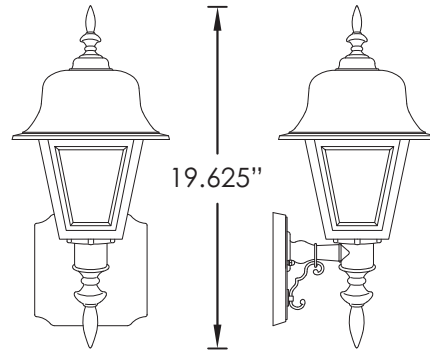
33915  
WHITE | BLACK



33995  
CLEAR | BLACK

← 7.75" →

← 9" →




**STANDARD SPECIFICATIONS**

<b>Housing</b>	Impact Resistant Polycarbonate (Specify Finish)
<b>Lens</b>	UV Stabilized Acrylic (Specify Type)
<b>Ballast</b>	(ii) 120V 60Hz Electronic NPF
<b>Lamp(s)</b>	Lamp(s) Included (CFL Only)
<b>Certification</b>	Wet Location Listed
<b>Mounting</b>	Wall Mount Only
<b>Match</b>	Post Mount Lighting 860 Series

**REPLACEMENT PARTS**

<b>LENS-3391</b>	(4) UV Stabilized White Acrylic Panels
<b>LENS-3399</b>	(4) UV Stabilized Clear Acrylic Panels

PRODUCT FAMILY	LENS TYPE	FINISH	WATTAGE	OPTIONS*
339				
	1 - White	1 - White	13GU - (1)13W GU-24 (ii)	ALLK NL PE PL
	9 - Clear Textured	5 - Black	18GU - (1)18W GU-24 (ii)	ALLK NL PE PL
			23GU - (1)23W GU-24 (ii)	ALLK NL PE PL
			26GU - (1)26W GU-24 (ii)	ALLK NL PE PL
			INC - (1)Incandescent (ii) 75W Max E26	PE

**OPTION LEGEND**

<b>27K</b>	2700 Kelvin Warm White Light Temperature
<b>35K</b>	3500 Kelvin Medium White Light Temperature
<b>41K</b>	4100 Kelvin Cool White Light Temperature
<b>ALLK</b>	Wattage comes in all kelvin above, choose one.
<b>NL</b>	No Lamp
<b>PE</b>	Photocell (120 Volt Only)
<b>PL</b>	Philips Lamp

\* May not be available in all wattages or combinations, please call factory.