

LED



339 SERIES



33911
WHITE | WHITE



33991
CLEAR | WHITE



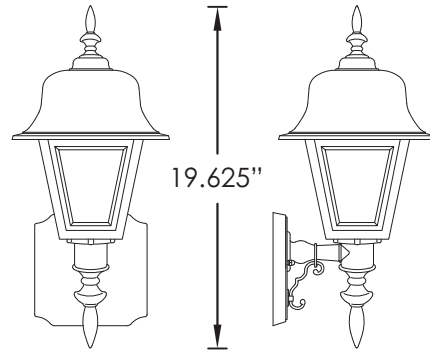
33915
WHITE | BLACK



33995
CLEAR | BLACK

← 7.75" →

← 9" →



STANDARD SPECIFICATIONS

Housing	Impact Resistant Polycarbonate (Specify Finish)
Lens	UV Stabilized Acrylic (Specify Type)
Certification	Wet Location Listed
Mounting	Wall Mount Only
Match	Post Mount Lighting 860 Series

REPLACEMENT PARTS

LENS-3391	(4) UV Stabilized White Acrylic Panels
LENS-3399	(4) UV Stabilized Clear Acrylic Panels

PRODUCT FAMILY

339



LENS TYPE

- 1 - White
- 9 - Clear Textured

FINISH

- 1 - White
- 5 - Black

MODEL

FEATURES & OPTIONS*

10LEDGU	120V, 60Hz Electronic, Triac Dimmable to 10% 9 Watts, 800 Lumens, GU24 Base Options: 27K, 30K, 40K, PE
12LEDGU	120V, 60Hz Electronic, Triac Dimmable to 10% 11 Watts, 1100 Lumens, GU24 Base Options: 27K, 30K, 40K, PE
13LED-120	120V, 50/60Hz Electronic, 120V Dimmable 13 Watts, 900 Lumens, >80CRI, Energy Star Listed Options: 30K, 40K, PE
17LEDGU	120V, 60Hz Electronic, Triac Dimmable to 10% 15 Watts, 1600 Lumens, GU24 Base Options: 27K, 30K, 40K, PE

OPTION LEGEND

27K	2700 Kelvin Warm White Light Temperature
30K	3000 Kelvin Medium White Light Temperature
40K	4000 Kelvin Cool White Light Temperature
ALLK	Wattage comes in all kelvin above, choose one.
PE	Photocell (120 Volt Only)

* May not be available in all wattages or combinations, please call factory.