

LED



194 SERIES



19411 | WHITE FINISH
WITH A WHITE LENS



19461 | WHITE FINISH
WITH A FROSTED PRISMATIC LENS



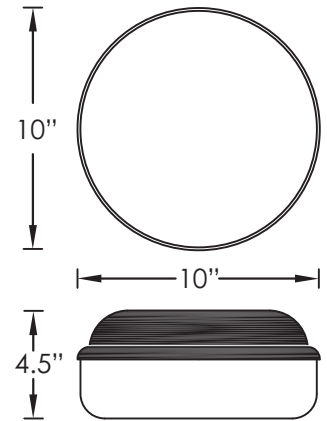
19415 | BLACK FINISH
WITH A WHITE LENS



19465 | BLACK FINISH
WITH A FROSTED PRISMATIC LENS

STANDARD SPECIFICATIONS

Housing	High Impact Polycarbonate (Specify Finish)
Lens	Impact Resistant Polycarbonate
Certification	Wet Location (for outdoor use)
Mounting	Wall or Ceiling Mountable



REPLACEMENT PARTS

LENS-1951	White Impact Resistant Polycarbonate Lens
LENS-1956	Frosted Prismatic Impact Resistant Polycarbonate Lens

PRODUCT FAMILY	LENS TYPE	FINISH	MODELS	FEATURES & OPTIONS*
194	1 - White 6 - Frosted Prismatic	1 - White 5 - Black	6LED 10LEDGU 12LEDGU 13LED-120 14LED 14LED-120 18LED 23LED-120	120-277V, 50/60Hz Electronic, Non-Dimmable 13 Watts, 855 Lumens, >82CRI Options: 30K, 35K, 40K 120V, 60Hz Electronic, Triac Dimmable to 10% 9 Watts, 800 Lumens, GU24 Base Options: 27K, 30K, 40K 120V, 60Hz Electronic, Triac Dimmable to 10% 11 Watts, 1100 Lumens, GU24 Base Options: 27K, 30K, 40K 120V, 50/60Hz Electronic, 120V Dimmable 13 Watts, 900 Lumens, >80CRI, Energy Star Options: 30K, 40K 120-277V, 50/60Hz Electronic, Non-Dimmable 12 Watts, 1100 Lumens, >81CRI Options: 30K, 35K, 40K, DIM 120V, 50/60Hz Electronic, 120V Dimmable 14 Watts, 1350 Lumens, >80CRI, Energy Star Options: 30K, 40K 120-277V, 50/60Hz Electronic, Non-Dimmable 22 Watts, 1704 Lumens, >80CRI Options: 30K 120V, 50/60Hz Electronic, 120V Dimmable 23 Watts, 1850 Lumens, >80CRI, Energy Star Options: 30K, 40K

OPTION LEGEND

27K	2700 Kelvin Warm White Light Temperature
30K	3000 Kelvin Warm White Light Temperature
35K	3500 Kelvin Medium White Light Temperature
40K	4000 Kelvin Cool White Light Temperature
DIM	120V Dimming Driver

* May not be available in all wattages or combinations, please call factory. † Additional lead time may apply.