

321 SERIES



32161 | WHITE

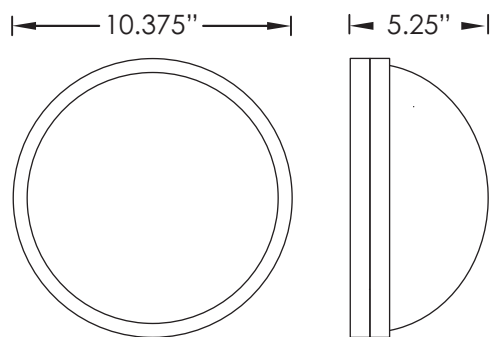


32165 | BLACK



STANDARD SPECIFICATIONS

<b>Housing</b>	Commercial Grade Aluminum (Specify Finish)
<b>Frame</b>	Impact Resistant Polycarbonate
<b>Lens</b>	UV Stabilized Frosted Polycarbonate
<b>Certification</b>	Wet Location Listed
<b>Mounting</b>	Wall or Ceiling Mount



REPLACEMENT PARTS

<b>LENS-3206</b>	UV Stabilized Frosted Polycarbonate Lens
<b>RING-32161</b>	White Polycarbonate Ring
<b>RING-32165</b>	Black Polycarbonate Ring

PRODUCT FAMILY	LENS TYPE	FINISH	MODEL	FEATURES & OPTIONS*
321	6			



6 - Frosted

1 - White

5 - Black

OPTION LEGEND

<b>27K</b>	2700 Kelvin Warm White Light Temperature
<b>30K</b>	3000 Kelvin Warm White Light Temperature
<b>40K</b>	4000 Kelvin Cool White Light Temperature
<b>PE</b>	Photocell (120 Volt Only)

<b>10LEDGU</b>	120V, 60Hz Electronic, Triac Dimmable to 10% 9 Watts, 800 Lumens, >81 CRI, GU24 Base <b>Options: 27K, 30K, 40K, PE</b>
<b>12LEDGU</b>	120V, 60Hz Electronic, Triac Dimmable to 10% 11 Watts, 1100 Lumens, >81 CRI, GU24 Base <b>Options: 27K, 30K, 40K, PE</b>
<b>13LED-120</b>	120V, 50/60Hz Electronic, Triac Dimmable to 5% 13 Watts, 900 Lumens, >80 CRI, Energy Star Listed <b>Options: 30K, 40K, PE</b>
<b>14LED-120</b>	120V, 50/60Hz Electronic, 120V Dimmable 14 Watts, 1350 Lumens, >80CRI, Energy Star Listed <b>Options: 30K, 40K, PE</b>
<b>18LED</b>	120-277V, 50/60Hz Electronic, Non-Dimm 22 Watts, 1704 Lumens, >80CRI, Energy Star Listed <b>Options: 40K, PE</b>
<b>23LED-120</b>	120V, 50/60Hz Electronic, 120V Dimmable 23 Watts, 1850 Lumens, >80CRI, Energy Star Listed <b>Options: 30K, 40K, PE</b>
<b>2X10LEDGU @</b>	120V, 60Hz Electronic, Triac Dimmable to 10% 18 Watts, 1600 Lumens, >81 CRI, 2x GU24 Base <b>Options: 27K, 30K, 40K, PE</b>
<b>2X12LEDGU @</b>	120V, 60Hz Electronic, Triac Dimmable to 10% 22 Watts, 2200 Lumens, >81 CRI, 2x GU24 Base <b>Options: 27K, 30K, 40K, PE</b>

\* May not be available in all wattages or combinations, please call factory.  
@ Wall Mount Only