

LED

304 SERIES



30411 | WHITE LENS
WITH WHITE BASE

30491 | CLEAR LENS
WITH WHITE BASE

30415 | WHITE LENS
WITH BLACK BASE

30495 | CLEAR LENS
WITH BLACK BASE

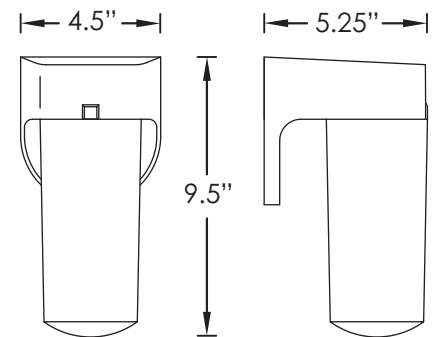
STANDARD SPECIFICATIONS

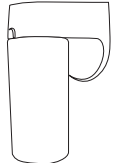


Housing	Impact Resistant Polycarbonate (Specify Finish)
Lens	UV Stabilized Acrylic (Specify Type)
Certification	Wet Location Listed
Mounting	Wall Mount Only
Match	Ceiling Fixture 130 Series

REPLACEMENT PARTS

LENS-1301	White UV Stabilized Acrylic Lens
LENS-1309	Clear Prismatic UV Stabilized Acrylic Lens
LENS-1301-LIP	White UV Stabilized Acrylic Lens - Fitter Neck #
LENS-1309-LIP	Clear Prismatic UV Stabilized Acrylic Lens - Fitter Neck #

- Fitter Neck lenses for the 9LED and 13LED-120 models only



PRODUCT FAMILY	LENS TYPE	FINISH	MODEL	FEATURES & OPTIONS*
304				
	1 - White 9 - Clear Prismatic	1 - White  5 - Black 	9LED 10LEDGU 12LEDGU 13LED-120	120-277V, 60Hz Electronic 11.3 Watts, 900 Lumens, >80 CRI Options: 40K 120V, 60Hz Electronic, Triac Dimmable to 10% 9 Watts, 800 Lumens, >81 CRI, GU24 Base Options: 27K, 30K, 40K, PE 120V, 60Hz Electronic, Triac Dimmable to 10% 11 Watts, 1100 Lumens, >81 CRI, GU24 Base Options: 27K, 30K, 40K, PE 120V, 50/60Hz Electronic, Triac Dimmable to 5% 13 Watts, 900 Lumens, >80 CRI, Energy Star Listed Options: 30K, 40K, PE

OPTION LEGEND

27K	2700 Kelvin Warm White Light Temperature
30K	3000 Kelvin Warm White Light Temperature
40K	4000 Kelvin Cool White Light Temperature
PE	Photocell (120 Volt Only)

* May not be available in all wattages or combinations, please call factory.