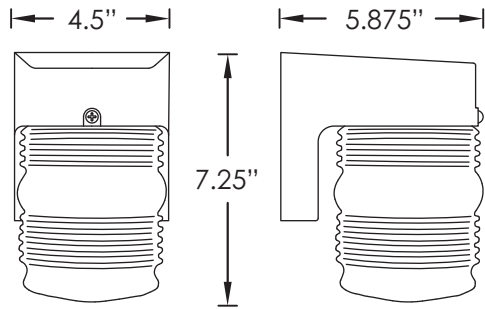




303 SERIES



LED



30391 | WHITE



30395 | BLACK

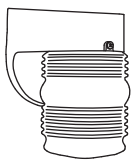
STANDARD SPECIFICATIONS

Housing	Impact Resistant Polycarbonate (Specify Finish)
Lens	UV Stabilized Clear Acrylic Ribbed Jar
Certification	Wet Location Listed
Mounting	Wall Mount Only

REPLACEMENT PARTS

LENS-3039 | UV Stabilized Clear Acrylic Ribbed Jar

PRODUCT FAMILY	LENS TYPE	FINISH	MODEL	FEATURES & OPTIONS*
303	9			



9 - Clear Ribbed Jar

1 - White

5 - Black

9LED

120-277V, 50/60Hz Electronic, Non-Dimmable
11.3 Watts, 900 Lumens, >80CRI
Options: 40K

10LEDGU

120V, 60Hz Electronic, Triac Dimmable to 10%
9 Watts, 800 Lumens, GU24 Base
Options: 27K, 30K, 40K, PE

12LEDGU

120V, 60Hz Electronic, Triac Dimmable to 10%
11 Watts, 1100 Lumens, GU24 Base
Options: 27K, 30K, 40K, PE

13LED-120

120V, 50/60Hz Electronic, 120V Dimmable
13 Watts, 900 Lumens, >80CRI
Options: 30K, 40K, ES, PE

OPTION LEGEND

27K	2700 Kelvin Warm White Light Temperature
30K	3000 Kelvin Warm White Light Temperature
40K	4000 Kelvin Cool White Light Temperature
ES	Energy Star Rated
PE	Photocell (120 Volt Only)

* May not be available in all wattages or combinations, please call factory.