

**Description:** 36W LED Power Supply with 0-10V dimming controls. Wide range input of 120-277V. Two, constant current, independent output channels.

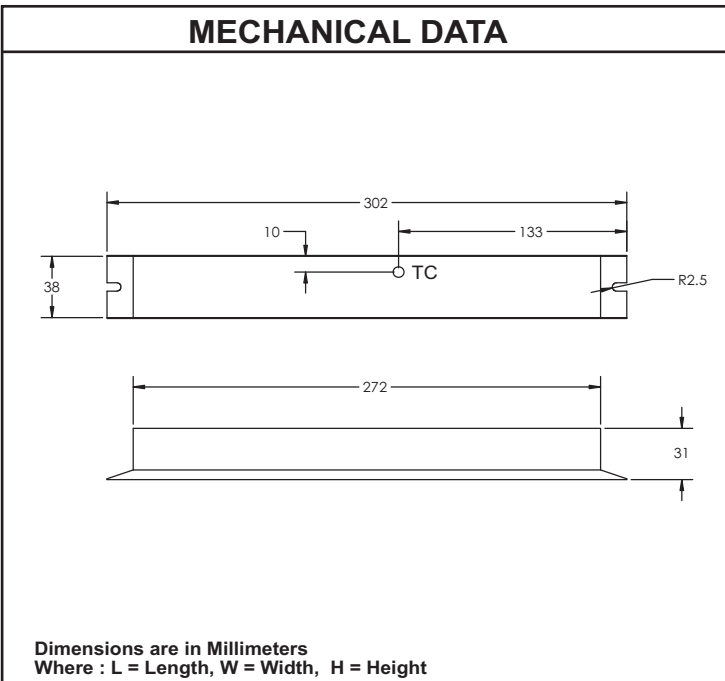
**This Driver Will Operate The Following LED Modules:**

Any LED module designed to accept constant current input up to 600mA and a voltage of <30V.

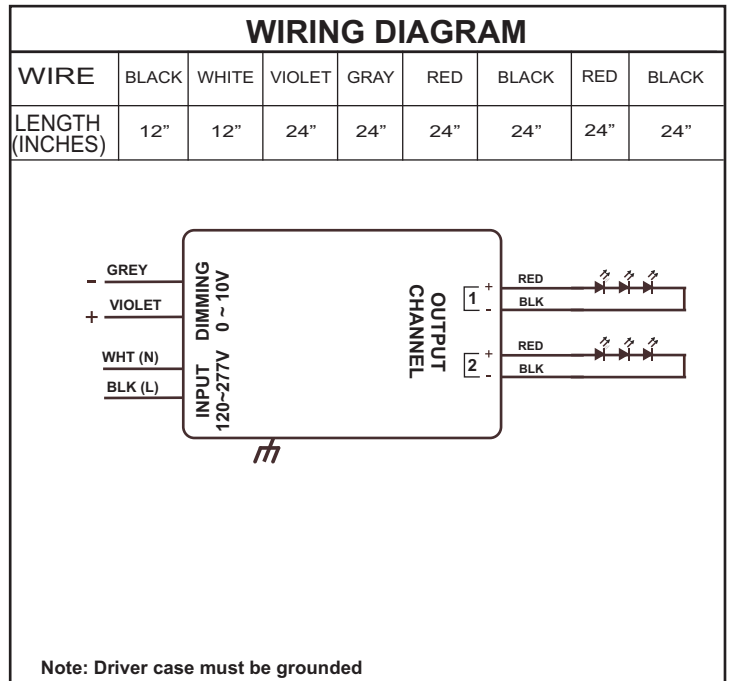
**ELECTRICAL DATA**

|                                    |  |
|------------------------------------|--|
| INPUT VOLTAGE                      | 120-277V ± 10%, 50/60Hz                    |
| INPUT CURRENT (MAX)                | .35A @ 120V, 0.19A @ 230V, 0.16A @ 277V    |
| POWER FACTOR                       | >0.99 @ 120V, >0.97 @ 230V, >0.94 @ 277V   |
| THD                                | <20% @ Max load                            |
| EFFICIENCY                         | >83% @ Max load                            |
| CONSTANT CURRENT, VOLTAGE OR POWER | Constant Current                           |
| OUTPUT CURRENT                     | 600mA                                      |
| OUTPUT VOLTAGE RANGE               | 23-30V                                     |
| MINIMUM LOAD                       | 18W / CHANNEL                              |
| OUTPUT SHORT CIRCUIT PROTECTION    | YES  |
| OUTPUT OPEN CIRCUIT PROTECTION     | YES  |
| OUTPUT TO GROUND SHORT PROTECTION  | YES  |
| OVER LOAD PROTECTION               | YES  |
| DIMMING CONTROLLER TYPE            | 0-10V (IEC60929, ANNEX E)                  |
| NUMBER OF OUTPUT CHANNELS          | 2  |
| NUMBER OF CONTROL CHANNELS         | 1  |
| EMI                                | FCC Class B                                |
| MAX CASE HOT SPOT TEMPERATURE      | 85°C                                       |
| MIN OPERATING TEMPERATURE          | -20°C                                      |
| MAX OPERATING TEMPERATURE          | 55°C                                       |
| APPROVALS/CLASS                    | Class 2 (cURus), Dry and Damp Location, CE |

**MECHANICAL DATA**



**WIRING DIAGRAM**



Fulham extends a limited warranty only to the original purchaser or to the first user for a period of 5 years from the date of manufacture when properly installed and operated under normal conditions of use. For complete terms and conditions, please reference the Fulham product catalog ([www.fulham.com](http://www.fulham.com))  
**Due to a program of continuous improvement, Fulham reserves the right to make modifications or variations in design or construction to the equipment described.**