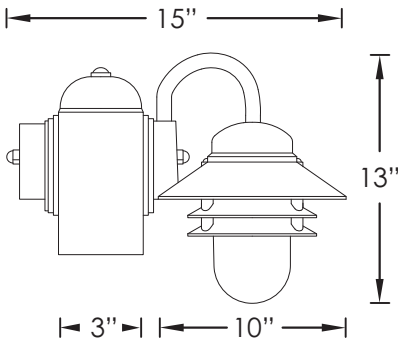




845-LED SERIES

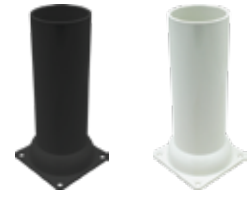


LED



84591 | WHITE

PIER MOUNTS



PMB

PMW



84595 | BLACK

STANDARD SPECIFICATIONS

Housing	Impact Resistant Polycarbonate (Specify Finish)
Lens	UV Stabilized Acrylic
Certification	Wet Location Listed
Mounting	3" OD Post Mount Only

REPLACEMENT PARTS

LENS-3801	White Acrylic Jar Lens
LENS-3809	Clear Ribbed Acrylic Jar Lens

PRODUCT FAMILY	LENS TYPE	FINISH	MODEL	FEATURES & OPTIONS*
845				
	1 - White 9 - Clear Ribbed	1 - White 5 - Black	<b>9LED</b>	120-277V, 60Hz Electronic Dimmable 11.6 Watts, 900 Lumens Options: 30K, 40K, PMB, PMW
			<b>10LEDGU</b>	120V, 60Hz Electronic Dimmable 9 Watts, 800 Lumens, GU24 Base Options: 27K, 30K, 40K, PE, PMB, PMW
			<b>12LEDGU</b>	120V, 60Hz Electronic Dimmable 11 Watts, 1100 Lumens, GU24 Base Options: 27K, 30K, 40K, PE, PMB, PMW
			<b>13LED-120</b>	120V, 50/60Hz Electronic, 120V Dimmable 14 Watts, 900 Lumens, >80CRI Options: 30K, 40K, ES, PE, PMB, PMW

OPTION LEGEND

27K	2700 Kelvin Warm White Light Temperature
30K	3000 Kelvin Warm White Light Temperature
40K	4000 Kelvin Medium White Light Temperature
ES	Energy Star Rated
PE	Photocell
PMB	Pier Mount Black
PMW	Pier Mount White

† Additional lead time may apply. \* May not be available in all wattages or combinations, please call factory.