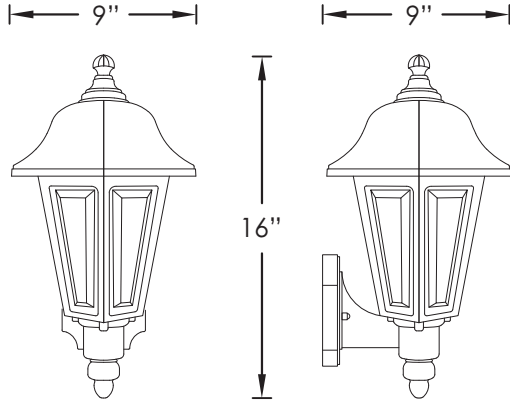


LED



337 SERIES



33791
CLEAR | WHITE



33795
CLEAR | BLACK

STANDARD SPECIFICATIONS

Housing	Impact Resistant Polycarbonate (Specify Finish)
Lens	UV Stabilized Acrylic (Specify Type)
Certification	Wet Location Listed
Mounting	Wall Mount Only
Match	Post Mount Lighting 850 Series

REPLACEMENT PARTS

LENS-3379 | (6) UV Stabilized Clear Acrylic Panels

PRODUCT FAMILY

337



LENS TYPE

9 - Clear Textured

FINISH

1 - White

5 - Black

MODEL

10LEDGU

12LEDGU

13LED-120

17LEDGU

FEATURES & OPTIONS*

120V, 60Hz Electronic, Triac Dimmable to 10%
9 Watts, 800 Lumens, GU24 Base
Options: 27K, 30K, 40K, PE

120V, 60Hz Electronic, Triac Dimmable to 10%
11 Watts, 1100 Lumens, GU24 Base
Options: 27K, 30K, 40K, PE

120V, 50/60Hz Electronic, 120V Dimmable
13 Watts, 900 Lumens, >80CRI, Energy Star Listed
Options: 30K, 40K, PE

120V, 60Hz Electronic, Triac Dimmable to 10%
15 Watts, 1600 Lumens, GU24 Base
Options: 27K, 30K, 40K, PE

OPTION LEGEND

27K	2700 Kelvin Warm White Light Temperature
30K	3000 Kelvin Medium White Light Temperature
40K	4000 Kelvin Cool White Light Temperature
ALLK	Wattage comes in all kelvin above, choose one.
PE	Photocell (120 Volt Only)

* May not be available in all wattages or combinations, please call factory.