



319 SERIES



FLUORESCENT



31961  
FROSTED | WHITE



31963B  
FROSTED | BRONZE



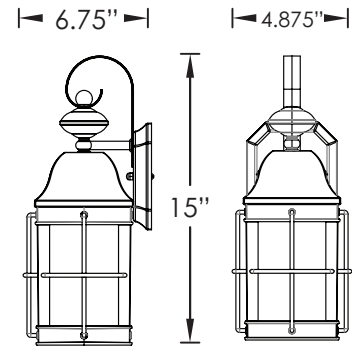
31965  
FROSTED | BLACK

STANDARD SPECIFICATIONS

<b>Housing</b>	Impact Resistant Polycarbonate (Specify Finish)
<b>Lens</b>	UV Stabilized Acrylic
<b>Ballast</b>	(ii) 120V 60Hz Electronic NPF
<b>Lamp(s)</b>	Lamp(s) Included (CFL Only)
<b>Certification</b>	Wet Location Listed
<b>Mounting</b>	Wall Mount Only

REPLACEMENT PARTS

<b>LENS-3196</b>	UV Stabilized Frosted Acrylic
------------------	-------------------------------



<b>PRODUCT FAMILY</b>	<b>LENS TYPE</b>	<b>FINISH</b>	<b>WATTAGE</b>	<b>OPTIONS*</b>
319	6	1 - White	13GU - (1)13W GU-24 (ii)	ALLK ES NL PL
	6 - Frosted	3B - Bronze	18GU - (1)18W GU-24 (ii)	ALLK ES NL PL
	5 - Black	23GU - (1)23W GU-24 (ii)	ALLK ES NL PL	
	26GU - (1)26W GU-24 (ii)	ALLK ES NL PL		
		INC - (1)Incandescent (ii) 60W Max E26	NONE	

**OPTION LEGEND**

<b>27K</b>	2700 Kelvin Warm White Light Temperature
<b>35K</b>	3500 Kelvin Medium White Light Temperature
<b>41K</b>	4100 Kelvin Cool White Light Temperature
<b>ALLK</b>	Wattage comes in all kelvin above, choose one.
<b>ES</b>	EnergyStar Rated
<b>NL</b>	No Lamp

\* May not be available in all wattages or combinations, please call factory.