

SPECIFICATION SHEET : FHS1-UNV-3.6L

This Is An Original Product From Fulham Co., Inc

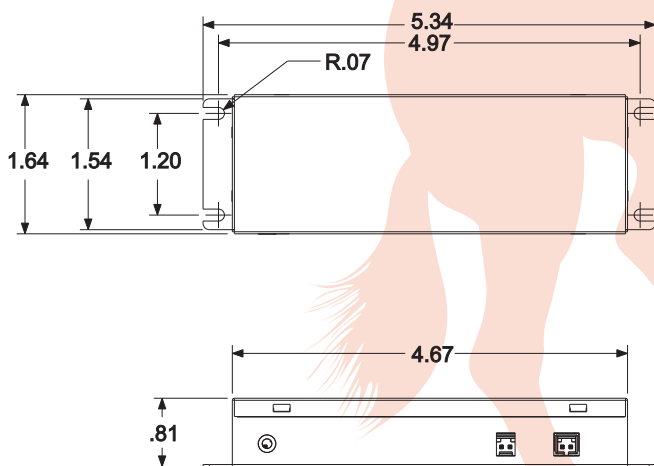
Description : Emergency LED Driver For Back-up Lighting

This Driver Will Operate Following LEDs.
 350mA, 3.2V..... Max. 10W
 700mA, 3.2V..... Max. 10W
 1500mA, 3.2V..... Max. 10W

ELECTRICAL DATA

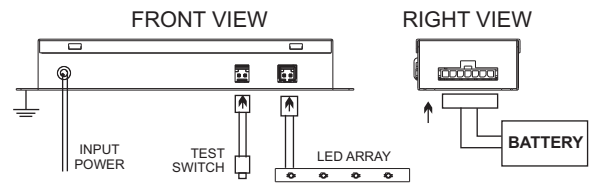
INPUT VOLT: 100V ~ 277V ± 10%, 47-63Hz	
INPUT VOLTAGE	100V ~ 277V ± 10%, 47-63Hz
SURGE PROTECTION	C62.41 (TVS)
OVER CURRENT PROTECTION	Fuse
INPUT CURRENT	0.07 A
INPUT POWER	< 4 W
LED TYPES OPERATED	1W - 5W (350 mA - 1,500 mA)
OUTPUT CURRENT	3.5 Amp when used with # FHSBATT3-F7
	2.8 Amp when used with # FHSBATT3-D4
	2.1 Amp when used with # FHSBATT3-C3
OUTPUT VOLTAGE	3.6V
OUTPUT SHORT CIRCUIT PROTECTION	Self Resetting PTC
RECHARGE TIME REQUIRED	24 HRS
BATTERY TYPE	NiCd 3.6VDC
BATTERY CAPACITY AVAILABLE	3Ah OR 4Ah OR 7Ah
ILLUMINATION TIME	MINIMUM 90MIN, UPTO 360MIN (AVAILABLE)
TOTAL MAXIMUM LED POWERED	10W
OUTPUT CLASSIFICATION	UL 1310 / CLASS 2
AMBIENT TEMPERATURE	0°C - 50°C

MECHANICAL DATA

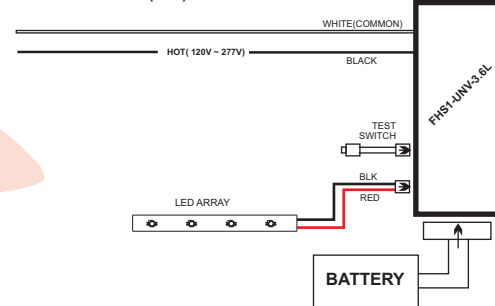


WIRING DIAGRAMS

WIRE	BLACK	WHITE	BATTERY- LED ARRAY- TEST SWITCH- PILOT LIGHT
LENGTH - INCHES	12 ± 1"	12 ± 1"	24 ± 1"



WIRING DIAGRAM (TYP)



Fulham extends a limited warranty only to the original purchaser or to the first user for a period of 5 years from the date of manufacture when properly installed and operated under normal conditions of use. For complete terms and conditions, please reference the Fulham product catalog (www.fulham.com)
Due to a program of continuous improvement, Fulham reserves the right to make modifications or variations in design or construction to the equipment described.

This Is An Original Product From Fulham Co., Inc

Description : Emergency LED Driver For Back-up Lighting

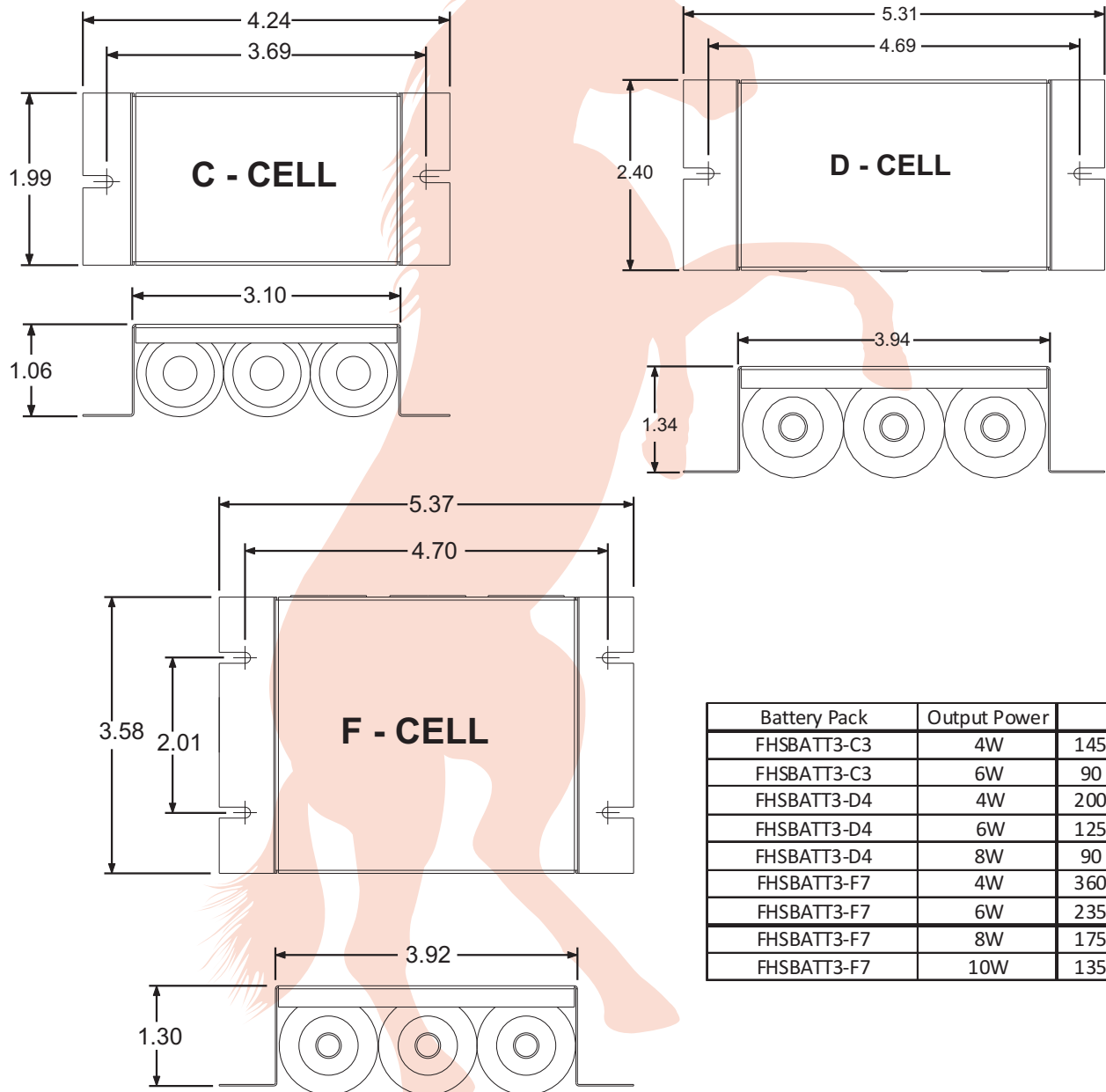
This Driver Will Operate Following LEDs.

350mA, 3.2V..... Max. 10W

700mA, 3.2V..... Max. 10W

1500mA, 3.2V..... Max. 10W

Available battery pack



Fulham extends a limited warranty only to the original purchaser or to the first user for a period of 5 years from the date of manufacture when properly installed and operated under normal conditions of use. For complete terms and conditions, please reference the Fulham product catalog (www.fulham.com)
Due to a program of continuous improvement, Fulham reserves the right to make modifications or variations in design or construction to the equipment described.

This Is An Original Product From Fulham Co., Inc

Description : Emergency LED Driver For Back-up Lighting

This Driver Will Operate Following LEDs.

350mA, 3.2V..... Max. 10W

700mA, 3.2V..... Max. 10W

1500mA, 3.2V..... Max. 10W

Available array shapes

