

Features & Benefits

- No rewiring needed
- Works with Espen fluorescent electronic ballast [VE259MVHIP](#)
- Long life
- High CRI
- Instant on, no delay
- Convenient and quick installation
- Utilizes existing instant start or rapid start sockets
- Compatible with controls and sensors
- Works in cold temperature applications
- Glass tube for superior optical performance
- Wide View Angle
- 5 Year Warranty
- New Version with Integrated ArmorCoat
For use in food areas and refrigerated food displayers



* EMERGENCY BALLAST RESTRICTIONS



RetroFlex™
LED T8 LAMP • Simplicity.
Commercial Grade LED T8 Lamp

Specification Data

Order Code	Length	Lamp Power	System Power	CCT	Initial Lumens	CRI	Beam Angle	Lamp Efficacy	System Efficacy	Life	
L96T8/835/24G-EB	96	24	27	3500K	3500	83+	325	135	120	50,000	No
L96T8/840/24G-EB	96	24	27	4000K	3500	83+	325	135	120	50,000	No
L96T8/850/24G-EB	96	24	27	5000K	3500	83+	325	135	120	50,000	No

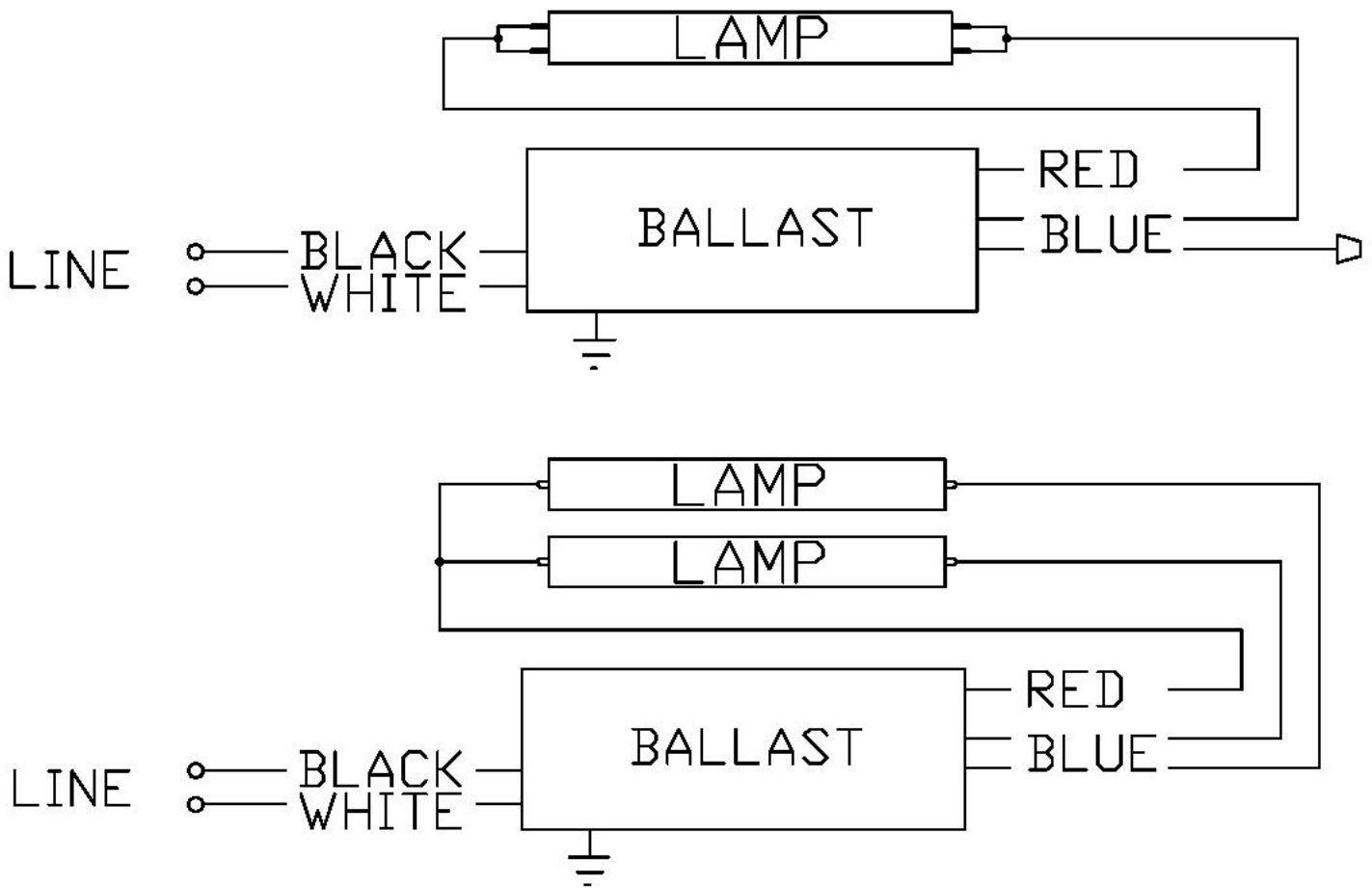
* Based on Normal Ballast Factor.

Ordering Information

EXAMPLE: **L96T8/840/24G-EB**

L	96	T8	8	40	24 G	- EB	
Manufacturer's Code	Normal Length	Lamp Shape	CRI	CCT	Wattage	Electronic Ballast Compatible	
	96=96"	T8=T8	8=>80	50=5000K 40=4000K 35=3500K	24G=24W		

Wiring Diagram



Specification data is based on tests performed in a controlled environment and represents relative performance. Actual performance can vary depending on operating conditions. Application and performance data subject to change without notice. All specifications are nominal unless noted otherwise.