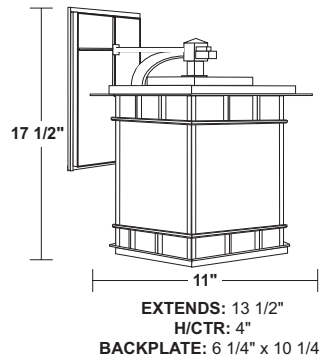


OUTDOOR WALL FIXTURE 544SF



Wave Lighting's 544SF is a stylish choice for any outdoor space. This fixture is available in Incandescent with A19 LED lamp option. This fixture is ETL listed and can be used to comply with 2016 Title 24 Part 6 High Efficacy LED Light Source Requirements. Open bottom for easy relamping. Wave Lighting's 544SF is designed for wall applications and mounting hardware is included.



SPECIFICATIONS

- Cast Aluminum Bronze Finish
- Mounting Hardware Included
- Frosted Glass Lens
- Wall Mount Only
- Minimum Starting Temp -20°F
- ETL Listed for Wet Locations

LED SOURCE OPTIONS

E26 REPLACEABLE LED - LE26

- 120V, 50/60Hz
- "Screw-In" Medium Base A19/E26 LED Lamp
- Estimated 15,000 Hrs L₇₀
- Low Flicker (3K models)
- Dimmable (see compatible dimmer list)
- 3000K CCT 90CRI or 4000K CCT 80CRI
- 3 Year Warranty
- Energy Star

GUIDE: 544SF-LE26W-BZ

CALL FOR PHOTOMETRIC INFORMATION

ITEM #	DIFFUSER	LIGHT SOURCE	COLOR	
544S	GLASS F-Frosted	INCANDESCENT (1) 75W MAX Medium Base	BZ-Bronze	
		LED LIGHT SOURCE		
		E26 MEDIUM BASE LED LE26-10W 800lm ☆		CCT C-4K W-3K

☆ Lamp Included Energy Star Qualified Product

REFER TO CATALOG FOR OPTION SPECIFICATIONS - Specifications subject to change without notice - FIXTURE SPEC 1/19