

**PARTS LIST**

- 1 - Cage and Wall Bracket Assembly
- 1 - Canopy
- 4 - Lens Panels (Clear, Frosted, Clear Diamond, or Amber Diamond depending on model purchased.)
- 1 - Spindle
- 1 - Parts Bag, Containing:
  - 1 - Decorative Finial
  - 1 - Top Cap (2-3/8" x 1")
  - 1 - Cup (1-3/4" x 3/4")
  - 1 - 2" Long Steel Nipple
  - 1 - Steel Locknut
  - 2 - #8/32 x 1" Long Knurled Brass Mounting Screws
  - 1 - Universal Mounting Plate
  - 1 - Green Ground Clip

**ASSEMBLY INSTRUCTIONS**

1. - Affix the cup to the top of canopy.
  2. - Screw the locknut to one end of the 2" steel nipple.
  3. - Insert the nipple assembly up through the hole in the top of the canopy, position the cap on top of the cup, and attach the finial to the nipple by finger tightening in a clockwise direction.
  4. - Push spindle onto wall bracket base.
- NOTE: If the spindle does not push easily or completely onto the base of the lantern, add several drops of any household lubricant to the inside lip of the spindle.

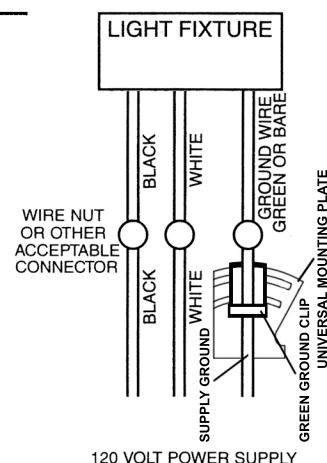
**PANEL INSERTION INSTRUCTIONS**

- (The raised beveled portion of the lens panels are to face the outside of the lantern cage.)
1. - Insert the small end of the lens panel into one of the four (4) slots inside the cage. (Note: All panels will fit into position easily with exception of the last panel. After inserting it into the slot, it will be necessary to apply downward pressure at the top of this final panel to snap it into position.
  2. - After the four (4) lens panels have been installed, apply downward pressure on all panels to assure proper seating of the lens.

**INSTALLATION INSTRUCTIONS**

**CAUTION: BE SURE THE ELECTRIC POWER IS SHUT OFF AT THE MAIN BREAKER PANEL OR FUSE BOX PRIOR TO THE ELECTRICAL HOOKUP ON THIS OR ANY ELECTRICAL FIXTURE!**

- 1.- Affix the universal mounting plate to an approved splice box, making sure that the two threaded screw holes in the plate are level in a horizontal position. (Screws not provided for this operation.)
- 2.- Connect the black and white lantern lead wires and the green ground wire to the appropriate incoming wires using approved wire connectors (not provided).  
NOTE: RECHECK ALL ELECTRICAL CONNECTIONS FOR LOOSE OR EXPOSED WIRES.
- 3.- Insert the two (2) 1" long brass knurled mounting screws provided through the holes in the bracket backplate and fasten the lantern to the mounting plate on the splice box.
- 4.- Install a 60 watt **maximum** incandescent bulb in the lantern socket and replace the canopy.
- 5.- Turn power on at main control panel when installation is complete.



ALWAYS CONNECT BLACK TO BLACK, WHITE TO WHITE, AND BARE OR GREEN GROUNDING CONDUCTORS

Customer Service **1-877-870-9283**  
www.wavelighting.com

**WAVE**  
LIGHTING