



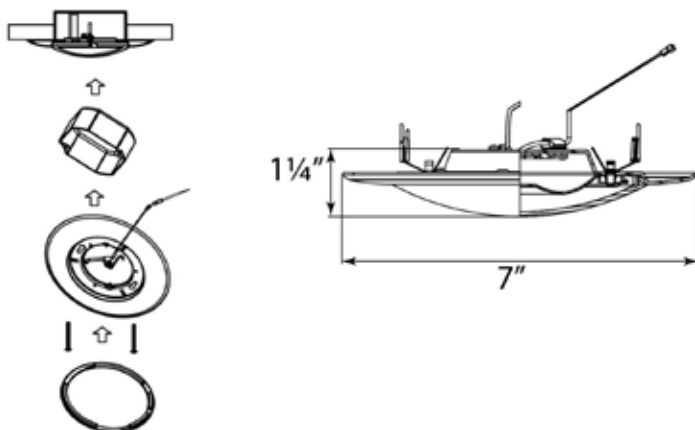
PROJECT:  
CONTACT:  
LOCATION:  
TYPE:



### PRODUCT DESCRIPTION

This integrated LED indoor or outdoor white convertible surface mount, flush mount ceiling fixture, wall mount, or wall sconce features a sealed frosted polycarbonate lens cover and round flanged trim. Easily installs into 4" or 3" ceiling or wall junction boxes. Housing and trim features all-aluminum construction. Feel at ease with cast aluminum's corrosion-resistance, high resilience, lasting quality, and inability to rust like steel. Go green and save big. Energy-efficient LED is environmentally friendly and requires substantially less electricity to maintain, passing down cost-cutting savings to you. Features cold temperature startup in weather as low as 20°C. Operates up to 80°C. Perfect complement to indoor or outdoor spaces. Enjoy rain or shine—conveniently suitable for wet locations. Compact light fits easily in small spaces. Profile is super thin—only 1.25 in. in height. High-quality alloys powder coated in white provide phenomenal durability and an attractive gleam. Hard surface provides top quality protection against scratches. Easy maintenance—simply clean and polish to achieve an even more lustrous shine. Outer lacquer finish provides an attractive sheen and additional layer of protection. Feel confident in a quality product. Integrated LED comes with a 5-year limited warranty.

#### Junction Box Installation



## V8625-6

[24-PACK] 1-LIGHT INTEGRATED LED INDOOR/  
OUTDOOR WHITE CONVERTIBLE SURFACE MOUNT  
OR WALL MOUNT, WITH SEALED FROSTED  
POLYCARBONATE LENS COVER AND ROUND  
FLANGED TRIM

### SPECIFICATIONS

Style	Traditional
Type of Lighting	Indoor or Outdoor Ceiling Lighting or Wall Lighting
Product Type	Ceiling Fixture or Wall Mount
Product Subtype	Round, Flanged, Flush Mount, Convertible (Ceiling or Wall Mount), Sconce (When Wall-Mounted)
Quantity Included	24 per box
Height (in.)	1.25
Width (in.)	7
Length or Extension/Projection (in.)	7
Finish	White
Main Material	All-Aluminum Construction (Housing and Trim)
Other Material	Sealed White Frosted Polycarbonate Lens Cover and Round Flanged Trim
Light Direction	Down (Ceiling-Mounted) or Outward (Wall-Mounted)
Mounting Deck Height (in.)	7
Mounting Deck Width (in.)	7
Mounting Deck Shape	Circle
Installation Location	Wet
Light #	1
Watts per Light (W)	15
Total Wattage (W)	15
Light Source Included?	Yes (Integrated LED)
Light Bulb(s) Included?	N/A (Integrated LED Light Source Included)
CRI	90
Color Temperature (K)	3000
Lumens per Light	950
Total Lumens	950
Power Factor (Pf)	>.95
Life Rated (Hours)	50,000
Dimmable?	Yes (10% of Output)
Base	N/A (Integrated LED)
Input Voltage (Volts)	120V at 50/60 Hz
Operating Temperature (C°)	-20 to 80
Compliances	NATIONAL ELECTRICAL CODE 410.16 (C1-5): Code C5 for closet luminaire when installed per code.
Safety Ratings	cULus Listed
Assembly	No Assembly Required
Integrated LED Warranty	5-Year Limited Warranty