



TP360

UFO Post Top Light

40W / 60W / 75W / 80W / 100W / 150W / Power Switch



Specifications

Wattage	40W -60W-80W / 75W-100W -150W Power Switch
LED Chips	SMD 2835, Samsung or Other LED Chips
Driver Brand	SOSEN/ ZHIHE/ or Other Brand
Material	Aluminum alloy+PC lens
Color Temp	3000K / 4000K / 5000K / 3CCT Switch
Dimming	0-10V / 1-10V / Non-dimmable
Light Distribution	130°
Lumen	130-140LM/W (Higher LM/W can be provided)
AC Input Voltage	AC120-277V / AC120-347V / AC180-480V Available
Ambient Temperature	-40°C to +45°C
Exclusive Feature(1)	Photocell Sensor Available
Exclusive Feature(2)	Motion Sensor Available
Exclusive Feature(3)	
Exclusive Feature(4)	CCT / Power Tunable Optional
Housing	Black / custom color
Lifetime	50,000H
Warranty	5 years

Feature



CCT Select



0-10V Dimming



Power Select



ADC12 Die casting



Photocell sensor



Motion sensor

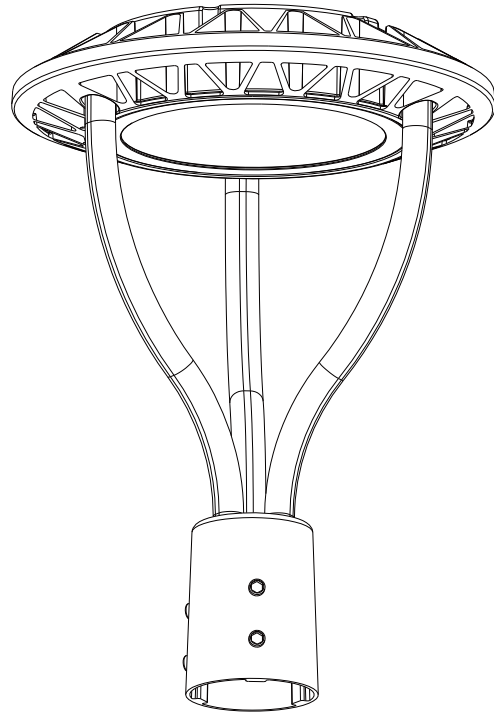
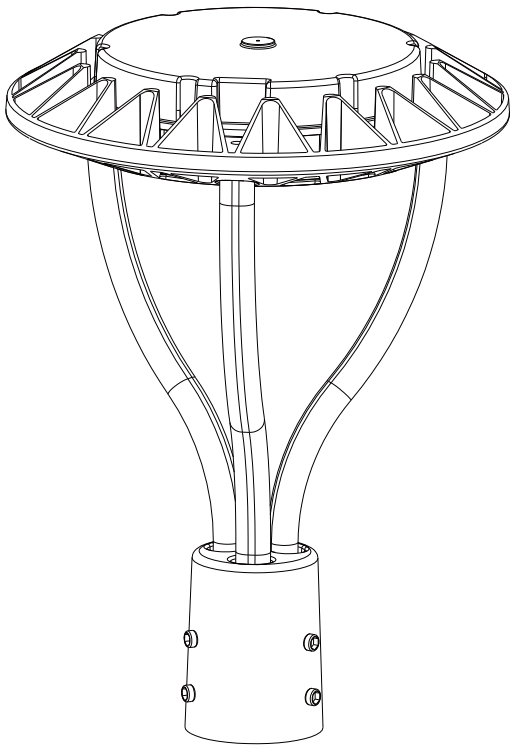


<< Photocell Sensor

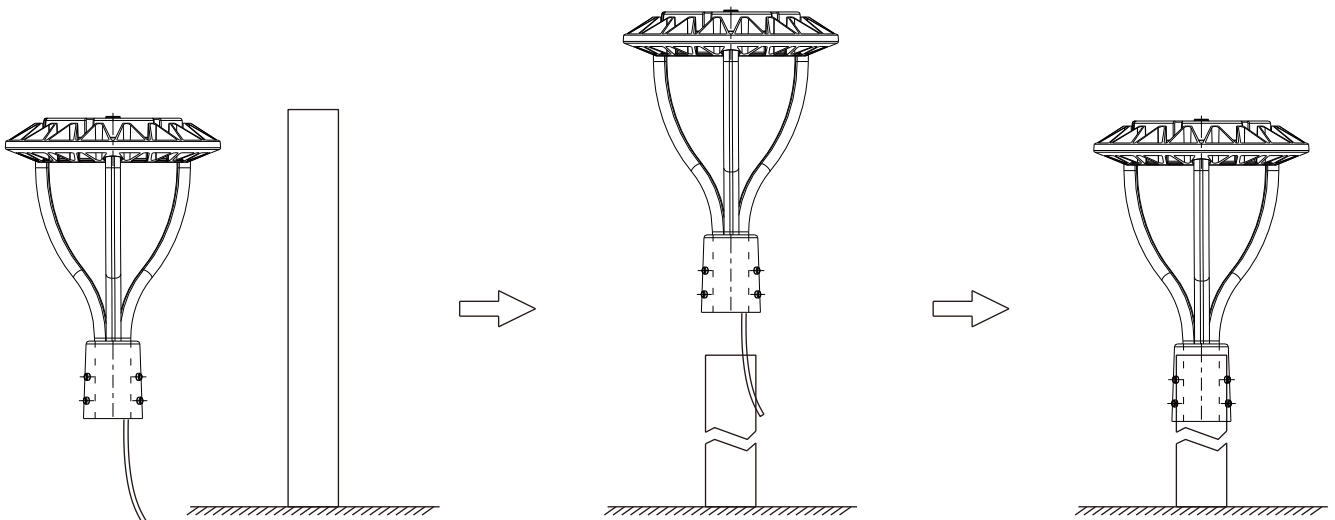
Motion Sensor >>



Drawing



Installation



Applications



Walkway



Community

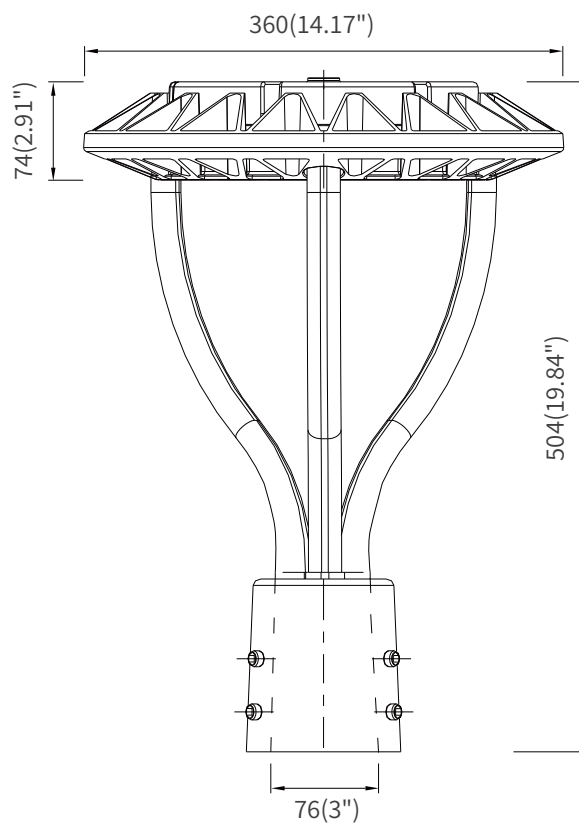
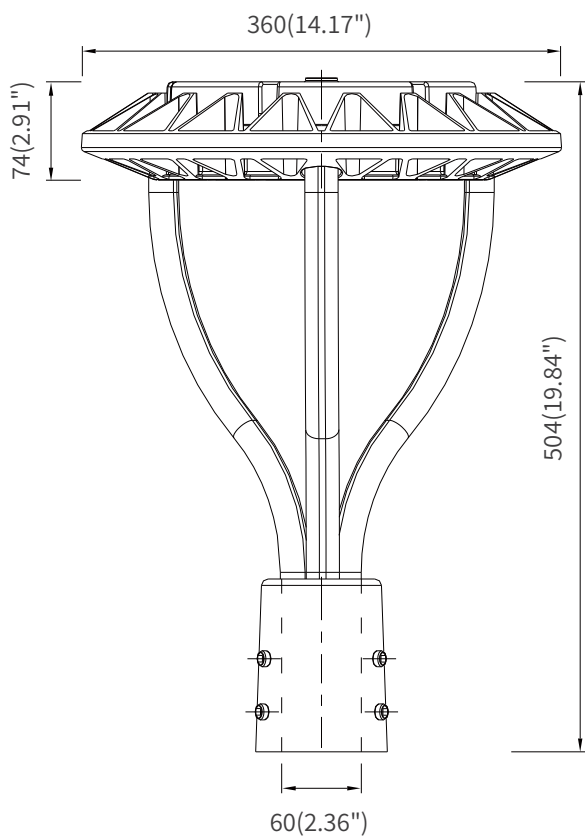


House



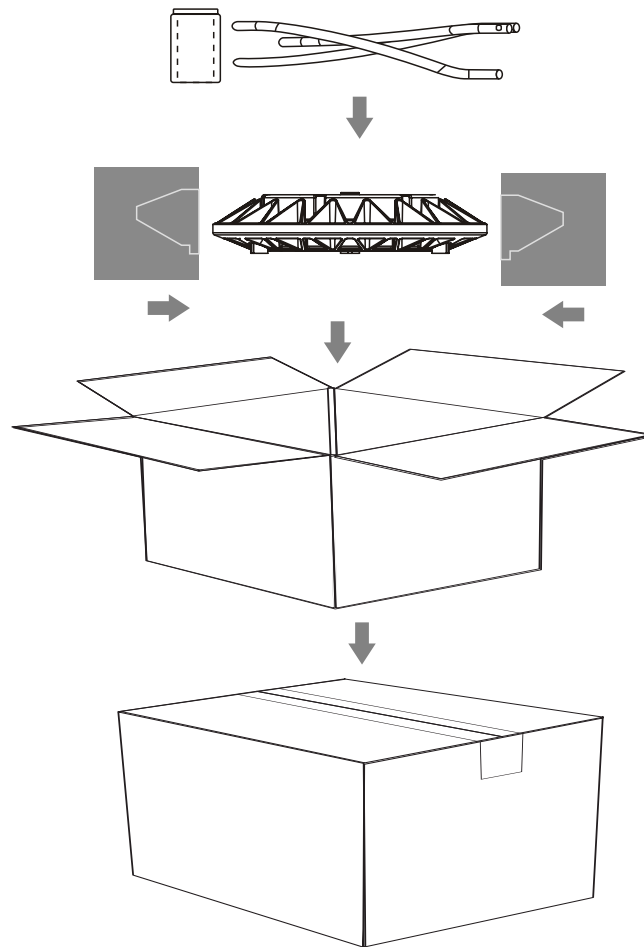
Building

Dimension



Packaging information

Wattage	Product Size(mm/in)	Package Size(mm/in)	N.W (Kg/lb)	G.W (Kg/lb)	QTY
80W	360 x 360 x 504 mm 14.17 x 14.17 x 19.84 in	480 x 400 x 160 mm 18.90 x 15.75 x 6.30 in	4.3Kg(9.48lb)	5.1 Kg(11.24lb)	1 PCS
150W	360 x 360 x 504 mm 14.17 x 14.17 x 19.84 in	480 x 400 x 160 mm 18.90 x 15.75 x 6.30 in	4.8Kg(10.58lb)	5.6 Kg(12.34lb)	1 PCS



Contractor Essentials by Light BulbSurplus

5481 Bryant Ave South, Sanford FL 32772
 Phone: 888.553.5655
www.LightBulbSurplus.com