

| | |
|--------------------|--------------|
| PROJECT: | |
| SCHEDULE: | DATE: |
| PREPARE BY: | |
| NOTES: | |

EX/ EM EMERGENCY EXIT SIGN

DESCRIPTION

naturaLED® featuring Emergency Exit Sign and Dual Head Emergency light. Injection-molded thermoplastic ABS housing. Easy to install, long-lasting LED light with test switch and charge indicator light. UL 94V-0 flame rated with up to 2 year warranty.



APPLICATIONS

Emergency Exit



**Rated Life 50,000 Hours
Warranty 2 Years**

FEATURES

- UL Listed
- Injection-molded thermoplastic ABS housing, UL 94V-0 flame rating
- Innovation, easy installation
- Suitable for wall mount (Dual Head), Single or double faces (Emergency Exit Sign)
- Voltage: 120-277V
- Maximum 24 hours for full recharge time
- Test switch and charge indicator
- Operating Temperature: 32°F ~ 104°F
- Warranty: 2 years
- Rated Life Hours: 50,000

SAMPLE NUMBER LEDEX-GRN/RED-WH

| STYLE | TYPE | COLORS | HOUSING COLOR |
|---------------------|------------------------------|-----------------------|---------------|
| LED LED Lighting | EX Emergency Exit Sign | GRN/RED Green/ Red | WH White |



EMERGENCY EXIT SIGN & LIGHTS

WALL LUMINAIRES

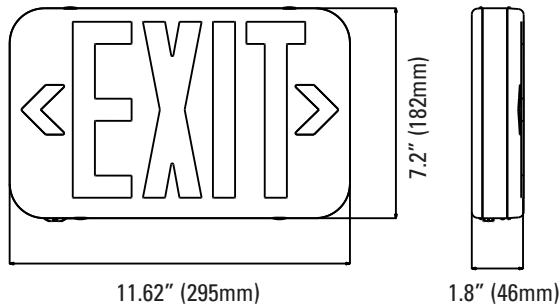
ORDERING

| Watts (W) | Ordering Code | Description | Lumens | Voltage | Input Current (A) | Built-in Battery | Charing Time | Emergency Run Time |
|-----------|---------------|------------------|---------|----------|-------------------|------------------|--------------|--------------------|
| 1 | 7521 | LEDEX-GRN/RED-WH | GRN/RED | 120/277V | 0.09A(max) | 1.2V-1000mAH | 24-hrs | 90-min |
| 2 | 7522 | LEDEM-FD-WH | 240lm | 120/277V | 0.09A(max) | 3.6V-1000mAH | 24-hrs | 90-min |

DIMENSIONS

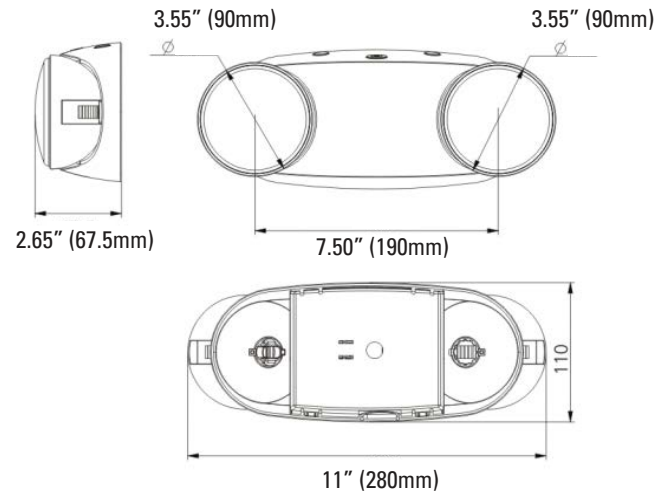
1W (EX)

Weight: 1.76-lbs

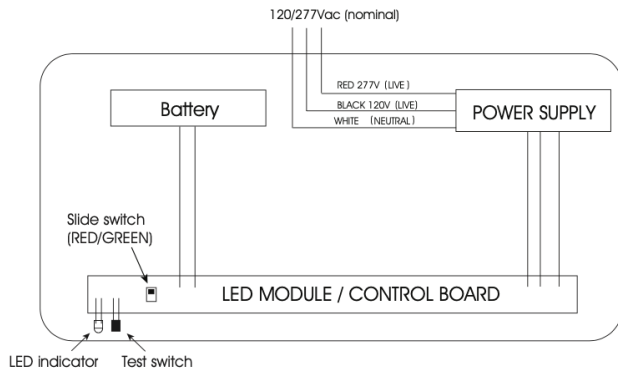


2W (EM)

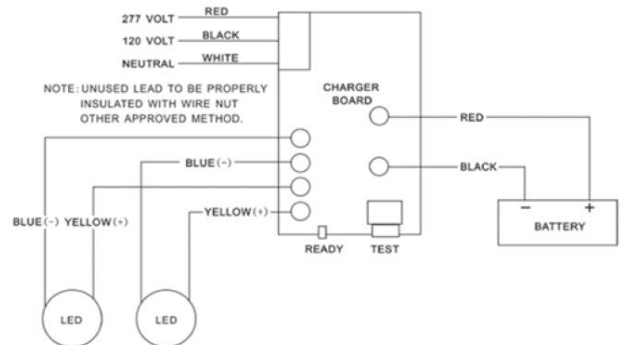
Weight: 1.00-lbs



WIRING



WIRING



PACKAGE

Case Qty
6 pcs

