



Area Light Series
Colonnade Pole Top Fitter
Large

Kit(s)	Description
PFCN50MGBL	Deluxe Colonnade Pole Top Fitter with Mogul Socket, HID Kit

AL

PFCN50, PF50

Housing:

Sand Cast Aluminum Hinged Housing, Stamped Steel Plate, Ballast, Capacitor, & Ignitor Brackets, Set Screws, Smooth Black Finish

Socket:

5KV Pulse Rated Mogul Base Socket with Nickel Plated Screw Shell

Mounting:

Accommodates 3" Poles

Wattage:

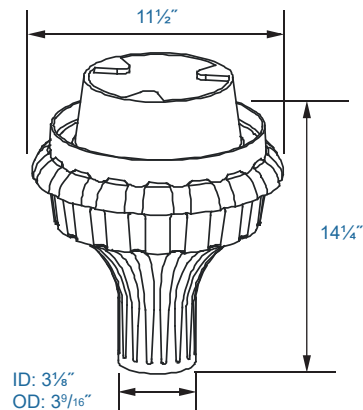
High Pressure Sodium: 150 to 250w

Pulse Start: 150 to 250w

Listing & Ratings:

CSA: Listed for Wet Locations

Custom Colors Available Upon Request.



PFCN50, PF50