

MST-SPD-480V

UL[®]
E497998



Product Features

- AC input voltage range: 277-480VAC
- Maximum peak current 20KV
- UL1449 certified
- Suitable for dry and humid environment

Product Description

Adapted to SSL outdoor lighting, the MST-SPD-480V surge protection device provides single phase protection for line/neutral, line/ground and neutral/ground in accordance with UL 1449. The MST-SPD-480V small size corresponds to the current design requirements for the new technology luminaires, likes a LED light engine in outdoor lighting.

Product Parameters

Model No	MSPI-MST-SPD-480V
Voltage rating	277~480Vac (Certificated Input range: 277~480Vac)
Rated frequency	50/60Hz
Maximum continuous operating voltage	550Vac
Up L – N:	2390Vpk
Up L – G:	2510Vpk
Up N – G:	2610Vpk
Maximum Peak Current	20KV (8/20 μ s standard wave)
Wire	AWG#16, 150 $^{\circ}$ C, 600V
Net weight	85g

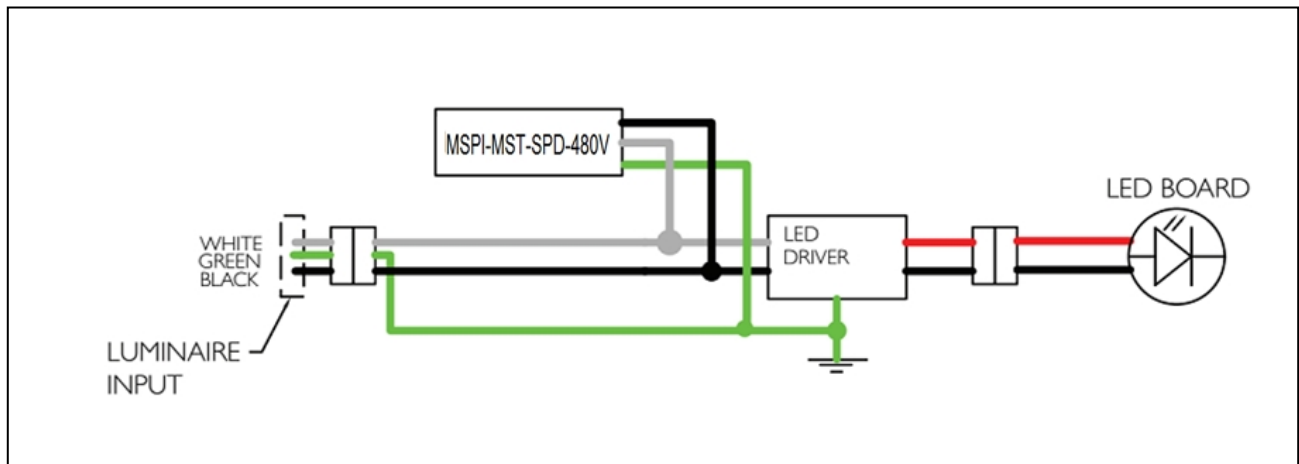
Environmental Requirements

Parameter	Min	Type	Max	Remarks
Operating temperature	-40 $^{\circ}$ C	-	85 $^{\circ}$ C	
Storage temperature and humidity	-40 $^{\circ}$ C	-	85 $^{\circ}$ C	Humidity: \leq 75%RH
Recommended storage temperature and humidity	-10 $^{\circ}$ C	-	40 $^{\circ}$ C	Humidity: \leq 75%RH

Electromagnetic Compatibility Standard

Certification Category	Standard
UL/CUL	UL 1449: Transient Voltage Surge Suppressors, CSA-C22.2 No. 269.5

Wiring Diagram



Structure Dimensions

