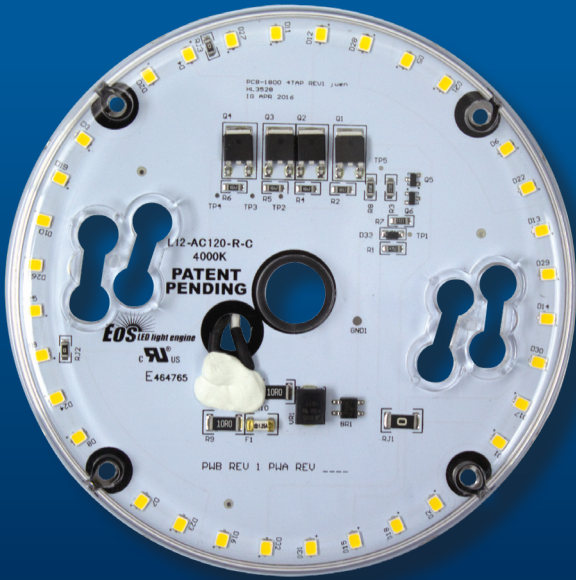


14W LAMP - 120V
80CRI

EOS LED LAMP

- AC Driver-On-Board Technology
- Multiple Mounting Options
- Data Per NVLAP Accredited Laboratory
- Electronic Dimming (see page 112)
- Energy Star CSD
- 5 Year Limited Warranty*



RoHS compliant

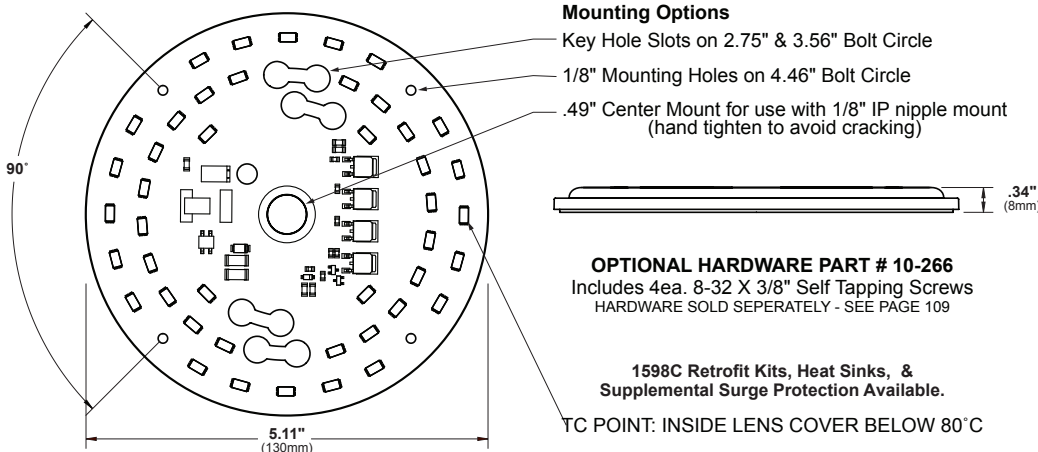
SPECIFICATIONS

- Input Voltage: 120VAC; 50/60Hz
- 14 Watt
- Available in 3000K or 4000K
- High power factor > 0.95
- Estimated 50,000 hrs L70
- Optical grade polycarbonate lens
- Multiple mounting options for easy install
- Can be used to comply with 2016 Title 24 part 6 High Efficacy LED Light Source Requirements In Outdoor Applications
- On board line surge protection
- Optional supplemental surge protection
- 18" 18 AWG Leads
- UL file: E464765 Certified under UL Standard 8750
- FCC compliance Class B

LUMENS & CCT @ 80CRI

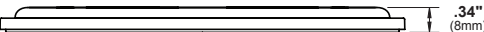
14W EOS LAMP
1470lm, 3000K = 102lm/W
1500lm, 4000K = 103lm/W

Photometrics available on request



Mounting Options

- Key Hole Slots on 2.75" & 3.56" Bolt Circle
- 1/8" Mounting Holes on 4.46" Bolt Circle
- .49" Center Mount for use with 1/8" IP nipple mount (hand tighten to avoid cracking)



OPTIONAL HARDWARE PART # 10-266
Includes 4ea. 8-32 X 3/8" Self Tapping Screws
HARDWARE SOLD SEPERATELY - SEE PAGE 109

1598C Retrofit Kits, Heat Sinks, & Supplemental Surge Protection Available.

TC POINT: INSIDE LENS COVER BELOW 80°C

IMPORTANT

***PRODUCT MUST BE INSTALLED WITH PROPER HEAT DISSIPATION. LED-MOV1 REQUIRED FOR OUTDOOR APPLICATIONS.**

SEE UL TERMS OF ACCEPTABILITY ON PAGE 113 PRIOR TO INSTALLATION.

HEAT SINK NOT INCLUDED

PART NUMBER GUIDE

L12 - AC120R - W

L12 14W

AC120R 120V INPUT VOLTAGE
80CRI

W 3000K
C 4000K