



LBS-PSRTN

Retrofit Tenon Adaptor for 2³/₈" Tenons

The LBS-PSRTN Retrofit Tenon Adaptor allows installation of fixtures with 3" fitters on existing 2³/₈" pole tenons. Fits all LBS P2 Tenons and Post Top fixtures.

Specifications:

- Heavy duty one-piece die cast aluminum adaptor
- 4 Stainless Steel set screws at 90° secure adaptor to pole tenon
- Durable Black powdercoat finish over chromate conversion coating, custom colors are available
- Can be field installed or ordered factory-installed on our decorative post tops

Features & Benefits:

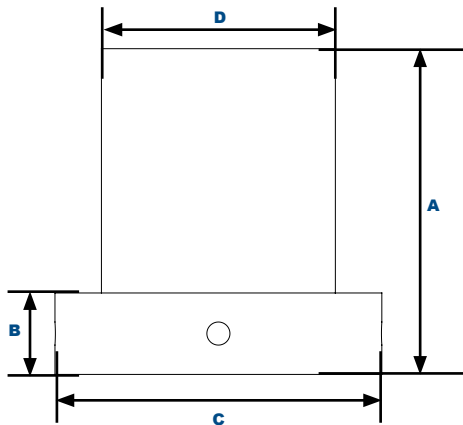
- Pole Tenon Adaptor converts a 2³/₈" x 4" pole tenon to a 2⁷/₈" x 3" tenon
- Saves time and installation costs. No need to purchase new tenons, and installation time is reduced since the existing tenon does not have to be removed.
- Order factory-installed on LBS decorative post tops for a no-hassle job-site installation.



See Page 2 for Installation and Detailed Dimensional Information

Dimensions

| | |
|---------------------|--|
| Height 1 (A) | 4" (102mm) |
| Height 2 (B) | 1" (25mm) |
| Width (C) | 4" (102mm) |
| Diameter (D) | 2 ⁷ / ₈ " (73mm) |



Order Information Example: LBS-PSRTN-B

| | |
|---|--------------|
| LBS-PSRTN | B |
| Model | Color |
| LBS-PSRTN=Retrofit Tenon Adaptor for 2 ³ / ₈ " Tenons | B=Black |

Project Information:

| | |
|---------------------------|---------------------|
| Project Name: _____ | Fixture Type: _____ |
| Complete Catalog #: _____ | Date: _____ |
| Comments: _____ | |

LBS-PSRTN

Retrofit Tenon Adaptor for 2 $\frac{3}{8}$ " Tenons

Factory-Installed Option

By selecting the "P2A" catalog option when ordering LBS Post Top fixtures, the Retrofit Tenon Adaptor will be pre-installed on the fixture, ready to be installed on the existing P2 pole tenon on the job-site.

Pole Tenon Installation

Adaptor can be field-installed on existing 4" x 2 $\frac{3}{8}$ " (P2) tenons. Place adaptor on existing tenon and secure with the included set screws.



Post Top Fixture Installation

Adaptor can be field-installed on fixtures with 3" fitters. Install adaptor into fixture and secure with fixture's mounting hardware. Place assembly over existing 4" x 2 $\frac{3}{8}$ " (P2) tenon and secure to the tenon with the included set screws.

