

KTSP-10KV-C EXTERNAL SURGE PROTECTOR

DESCRIPTION

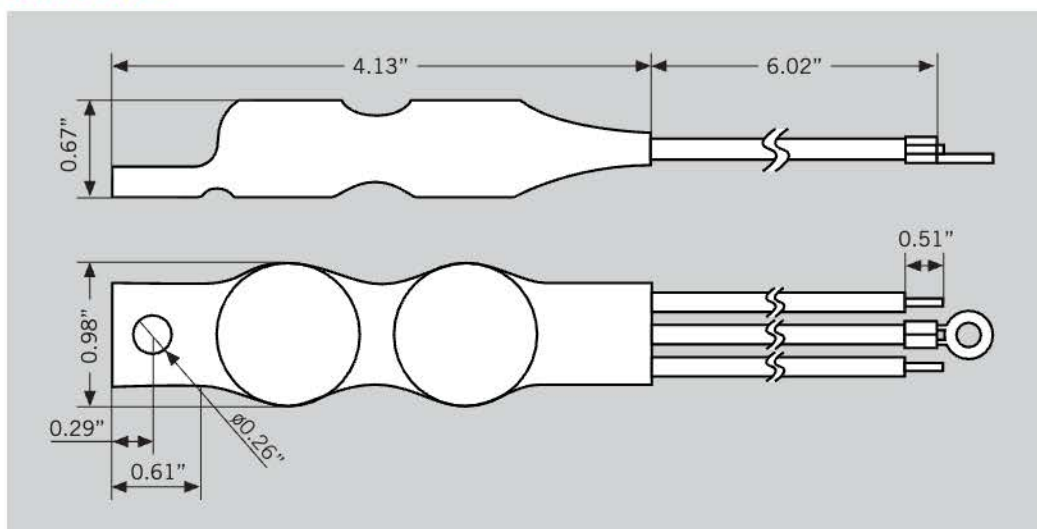
External Surge Protector, compact design. Parallel Wiring, 120-277V Input, Max Peak Protection (10KV, 10KA).



ELECTRICAL SPECIFICATIONS

Input voltage	120~277Vac
Frequency	50/60Hz
Max Continuous RMS Voltage AC	320V
Max Clamping VOLTage (8/20us 100A)	845V
Max Energy	360J
Max Peak Current	10kA (8/20us standard wave)
Wiring	14 Gauges stranded wire, 105°C/°F, 600V
Wire Connections	White and Black: 12mm skinned L=143~163mm 12mm skinned with ø4.2mm ground lug /DJ4305 L=151~171mm
Ambient Temperature	-40°C/°F – 85°C/°F
Tc:	85°C/°F
Warranty	5 Years

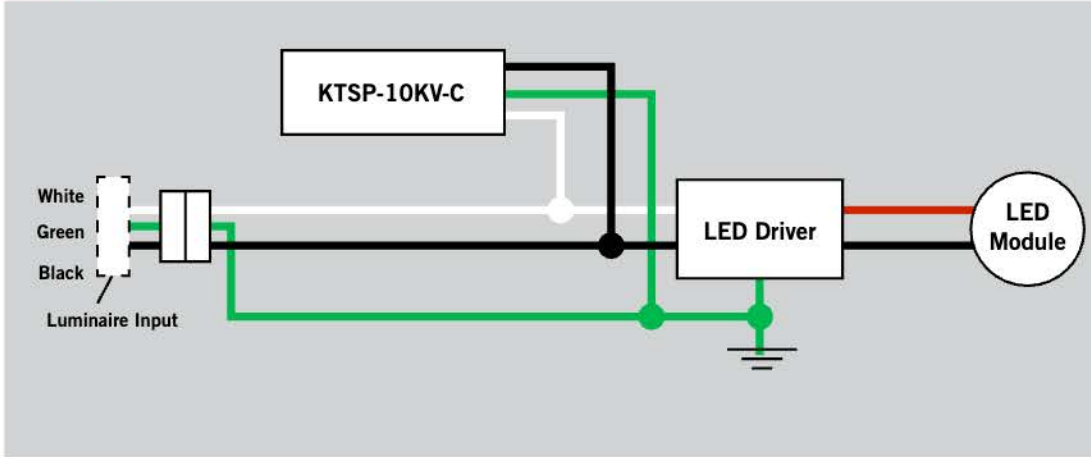
DIMENSIONS



KTSP-10KV-C

EXTERNAL SURGE PROTECTOR

WIRING



PULSE RATING

Pulse Rating (8/20us)	
Strikes	Surge
1	10kA
2	6.5kA
10	3kA
100	1.5kA
1000	700A

ORDERING INFORMATION

CATALOG NUMBER	CARTON QTY.	EASY CODE	UPC
KTSP-10KV-C	TBD	BUU-26	843654129204

CATALOG NUMBER BREAKDOWN

KTSP-10KV-C

1 2 3 4

- 1 Keystone Technologies
- 2 Surge Protector
- 3 10KV
- 4 Compact

