



# KTLD-30-UV-SC1050-56-VDIM-U7

## CONSTANT CURRENT PROGRAMMABLE LED DRIVER

### DESCRIPTION

LED Driver | 30W | 120–277V Input | 350–1050mA Programmable Output Current

<b>TOTAL POWER:</b> 30W	<b>OUTPUT CURRENT:</b> 350–1050mA
<b>INPUT VOLTAGE:</b> 120–277Vac ±10%	<b>DIMMING:</b> 0–10V
<b>INPUT FREQUENCY:</b> 50/60 Hz	<b>WARRANTY:</b> 5 Years



### PRODUCT FEATURES

- Meets FCC Part 15 (Class B) consumer limits
- Short circuit overload and open load protection
- Dimmable with 0–10V dimmer (down to 1% at max. output current)
- Auxiliary Power: 12Vdc; 200mA max.
- THD: <20%
- –4°F (20°C) to 122°F (50°C) operating temperature
- 194°F (90°C) maximum case temperature
- Input frequency: 50/60 Hz
- Programmable output current via Keystone supplied
- Programming jig

### PROGRAMMING FEATURES

- Drive current (10mA increments)
- Minimum dimming level (1%, 3%, 5%, 7%, or 10%)
- Dimming curve (linear, log, inverse log, or square-law)
- Minimum dimming voltage (1V, 1.5V, or 2V)
- Maximum dimming voltage (7V, 8V, or 9V)
- Dim-to-off voltage (0.8V, 1V, 1.2V, or N/A)
- Thermal foldback temperature (167°F [75°C], 176°F [80°C], 185°F [85°C], or 194°F [90°C])

#### WHAT'S NEEDED?

A SmartCurrent Programmable LED Driver, the SmartCurrent Cradle, and a computer.



### ELECTRICAL SPECIFICATIONS

<b>Input Voltage Range</b>	120–277Vac ±10%
<b>Frequency</b>	50/60 Hz
<b>Power Factor</b>	>0.9 under 120–277Vac Input with 80–100% load condition (for all output currents)
<b>Inrush Current</b>	10A @120V
<b>Max. Input Current</b>	0.31A @120V, 0.17A @240V, and 0.15A @277V
<b>THD</b>	<20% under 120–277Vac input with 80–100% load condition (for all output currents)
<b>Load Regulation</b>	± 2%
<b>Line Regulation</b>	± 1%
<b>Output Tolerance</b>	± 5% at full load condition
<b>Turn-On Delay Time</b>	<2 seconds at full load condition
<b>Overshoot</b>	<10% at full load condition
<b>No Load Power Consumption</b>	<1.5W
<b>Ripple and Noise (pk-pk)</b>	<3%
<b>Withstand Voltage</b>	Input to output, 2,800Vdc, 2mA
<b>Leakage Current</b>	Maximum 0.5mA at 277Vac, 60Hz input
<b>Protection</b>	<ul style="list-style-type: none"> <li>• <b>Over Voltage Protection:</b> Hiccup mode. Protection will trigger when load voltage exceeds specified output voltage and will auto recover after the fault mode is removed.</li> <li>• <b>Over Current Protection:</b> Hiccup mode. Protection will trigger when load current exceeds specified output current and will auto recover after the fault mode is removed.</li> <li>• <b>Short Circuit Protection:</b> Hiccup mode. Protection will trigger when short circuit and will auto recover after the fault mode is removed.</li> <li>• <b>Over Temperature Protection:</b> Protection will trigger when driver overheats and auto-recovery when cooled down.</li> </ul>



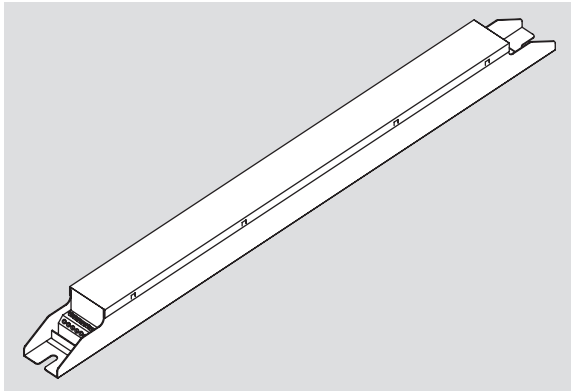
# KTLD-30-UV-SC1050-56-VDIM-U7

## CONSTANT CURRENT PROGRAMMABLE LED DRIVER

### PRODUCT SPECIFICATIONS

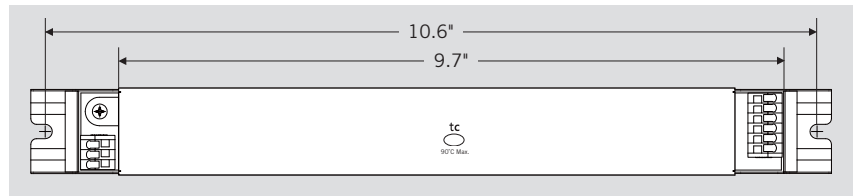
Max. Output Power	Output Current	Output Voltage	OCV	Typical Efficiency at 120V	Typical Efficiency at 240V	Typical Efficiency at 277V	Remote Mounting Distance (#18 AWG)	Class 2	
								US	Canada
30W	350–1050mA	10–56V	60V	84%@ 1.05A, 29Vdc 83%@ 0.35A, 56Vdc	84%@ 1.05A, 29Vdc 82%@ 0.35A, 56Vdc	84%@ 1.05A, 29Vdc 81%@ 0.35A, 56Vdc	35 ft.	✓	

### PHYSICAL SPECIFICATIONS

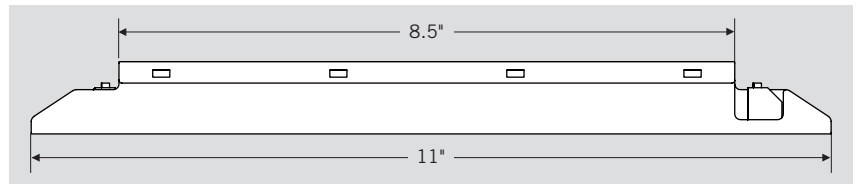


LENGTH	11.02"	MOUNTING	10.63"
WIDTH	1.20"	CASE STYLE	U7
HEIGHT	1.00"	CASE MATERIAL	Metal

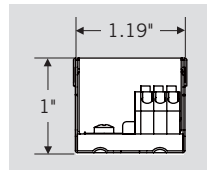
#### TOP VIEW



#### FRONT VIEW

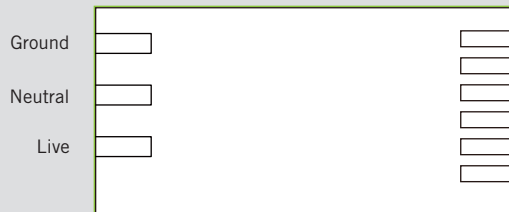


#### SIDE VIEW



### WIRING SPECIFICATIONS

INPUT	Terminal Block
OUTPUT	Terminal Block
DIMMING	Terminal Block



- VO (-):** LED load, negative (-)BTIN
- VO (+):** LED load, positive (+)
- PRG/BTIN:** For programming and bluetooth accessories
- Aux 12Vdc (+):** Auxiliary 12Vdc output, positive (+) accessories
- RTN:** Dimming and auxiliary output, negative (-) accessories
- Dimming (+):** Dimming, positive (+)



# KTLD-30-UV-SC1050-56-VDIM-U7

## CONSTANT CURRENT PROGRAMMABLE LED DRIVER

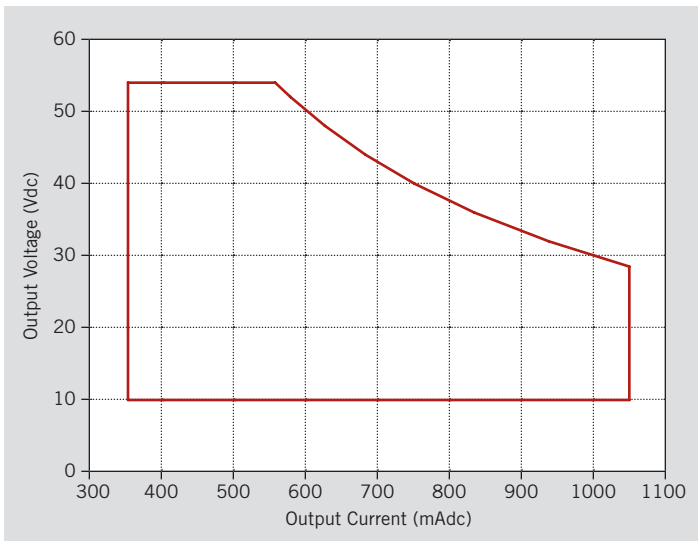
### ENVIRONMENTAL SPECIFICATIONS

Operating Temperature	-4 to 122°F (-20 to 50°C)
Storage Temperature	-40 to 185°C (-40 to 85°C)
Humidity	5% to 95%
MTBF	397,500 hours at 104°F (40°C) ambient (~94°F [-70°C] case temp)
Life Rating	85,000 hours at 120Vac input, 100% load and 140°F (60°C) case temperature
Maximum Case Temperature	194°F (90°C)

### SAFETY AND EMC COMPLIANCE

UL/cUL	UL 8750, Class P, Type HL
CE	EN61347-1, EN61347-2-13
FCC, 47CFR Part 15	ANSI C63.4:2009 Class B (consumer limit)
EN61000-3-2	Harmonic Current Emissions Class C

### LED DRIVER OUTPUT WINDOW



Note: driver is in constant power mode from 550mA to 1050mA.

### ORDERING INFORMATION

ORDER CODE	PACKAGING STYLE	PACK QUANTITY	ITEM STATUS
KTLD-30-UV-SC1050-56-VDIM-U7-CP	Carton Pack	TBD	Quick Ship

### CATALOG NUMBER BREAKDOWN

# KTLD-30-UV-SC1050-56-VDIM-U7-CP

Keystone Technologies LED Driver	Max. Output Wattage	120-277V Input	Smart Current	Max. Output Current	Max. Output Voltage	0-10V Dimming	Case Style	Packaging Style
----------------------------------	---------------------	----------------	---------------	---------------------	---------------------	---------------	------------	-----------------