



Available at
 LightBulbSurplus
 Light More, Pay Less

KTLD-22-1-XXX-FDIM-AK1
Constant current LED driver
Total power: 22W
Input voltage: 120Vac ± 10%
Number of outputs: One
UL 8750
IP20 design for dry and damp location
Dimmable with leading / trailing edge dimmer
5 year warranty

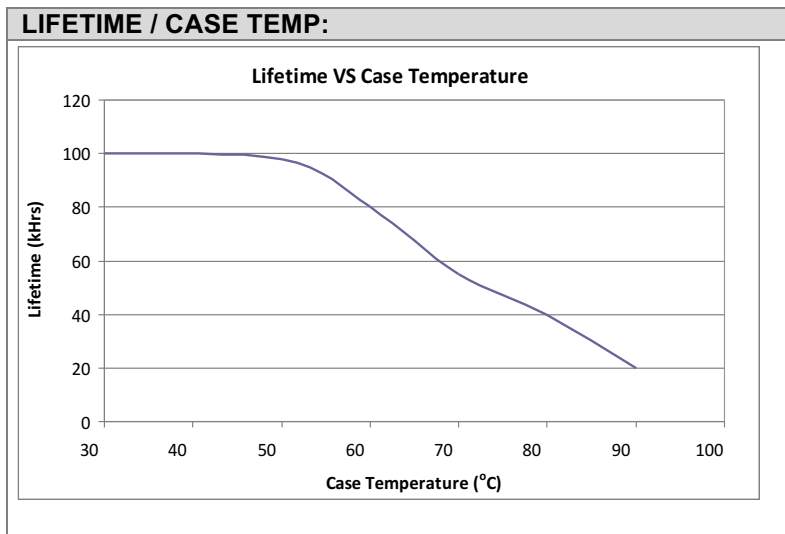
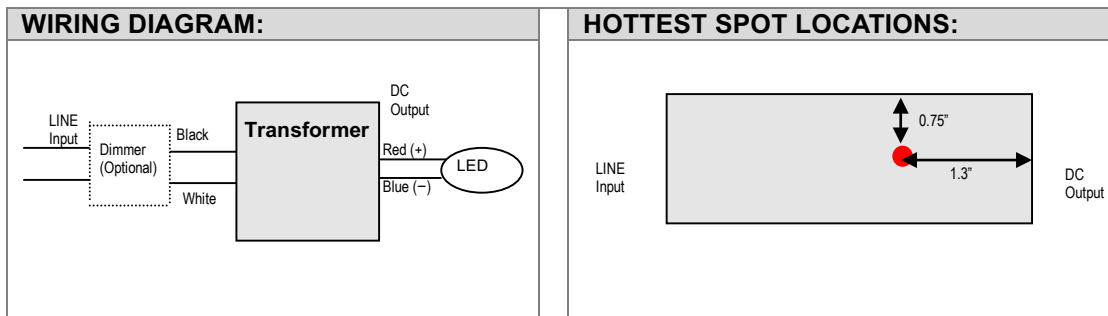
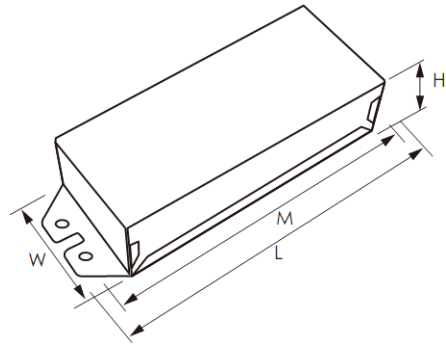
ELECTRICAL SPECIFICATIONS:		ENVIRONMENTAL SPECIFICATIONS:	
Input voltage range:	120Vac ± 10%	Operating temperature:	-30 to 60°C
Frequency:	60Hz	Storage temperature:	-40 to 85°C
Power factor:	>0.9 @full load	Humidity:	5% to 95%
Inrush current:	7A @120V	MTBF:	376,000 hours at 40°C ambient (~70°C Case temp)
Max input current:	0.25A @120V	Maximum case Temperature	90°C
THD:	<20%		
Protection:	Over voltage, Over current and Short circuit		
Withstand voltage	I/P – O/P 2k Vac		

PRODUCT SPECIFICATIONS:							
Model Number	Max output power	Output Current	Output Voltage	Efficiency	Remote mounting distance (#18 AWG)	Class 2	
						US	Canada
KTLD-22-1-220-FDIM-AK1	22W	220mA	33 - 100V	81%	174 ft		
KTLD-22-1-300-FDIM-AK1	22W	300mA	24 - 73V	81%	128 ft		
KTLD-22-1-400-FDIM-AK1	22W	400mA	18 - 54V	81%	96 ft	√	
KTLD-22-1-500-FDIM-AK1	20W	500mA	10 - 40V	81%	76 ft	√	√
KTLD-22-1-600-FDIM-AK1	22W	600mA	10 - 36V	81%	64 ft	√	√
KTLD-22-1-700-FDIM-AK1	22W	700mA	10 - 32V	81%	54 ft	√	√
KTLD-22-1-800-FDIM-AK1	22W	800mA	10 - 28V	81%	48 ft	√	√
KTLD-22-1-900-FDIM-AK1	22W	900mA	6 - 24V	81%	42 ft	√	√
KTLD-22-1-1000-FDIM-AK1	22W	1000mA	6 – 24V	81%	38 ft	√	√
KTLD-22-1-1100-FDIM-AK1	22W	1100mA	6 – 20V	81%	34 ft	√	√
KTLD-22-1-1200-FDIM-AK1	22W	1200mA	6 – 20V	81%	32 ft	√	√

SAFETY AND EMC COMPLIANCE:	
UL/cUL	UL 8750
FCC, 47CFR Part 15	Class B Consumer Limit
EN61000-3-2	

Available for purchase at LightBulbSurplus.com or email at sales@lightbulbsurplus.com

PHYSICAL DIMENSIONS:	
Length (L):	4.80"
Width (W):	1.58"
Height (H):	0.96"
Mounting (M):	4.29"
Weight:	0.22 kg
WIRE SPECIFICATIONS:	
Input:	12", UL 1316 #18AWG (Black and White)
Output:	12", UL 1316 #18AWG (Red and Blue)



Available for purchase at LightBulbSurplus.com or email at sales@lightbulbsurplus.com