



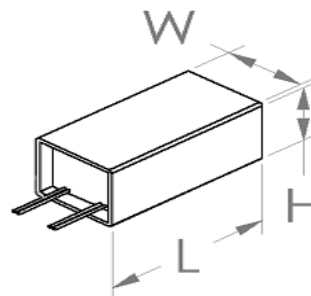
KTLD-10-1N-xxx-F3
Constant current LED driver
Total power: 10W
Input voltage: 120Vac ± 10%
Number of outputs: One
UL 8750
IP20 design for dry and damp location
5 year warranty

ELECTRICAL SPECIFICATIONS:		ENVIRONMENTAL SPECIFICATIONS:	
Input voltage range:	120Vac ± 10%	Operating temperature:	-30 to 60°C
Frequency:	50/60Hz	Storage temperature:	-40 to 85°C
Power factor:	>0.5 @full load	Humidity:	5% to 95%
Inrush current:	20A @120V	MTBF:	583,000 hours at 40°C ambient (~70°C Case temp)
Max input current:	0.22A @120V	Maximum case Temperature	90°C
THD:	<200%		
Protection:	Over voltage, Over current and Short circuit		
Withstand voltage	I/P – O/P 2k Vac		

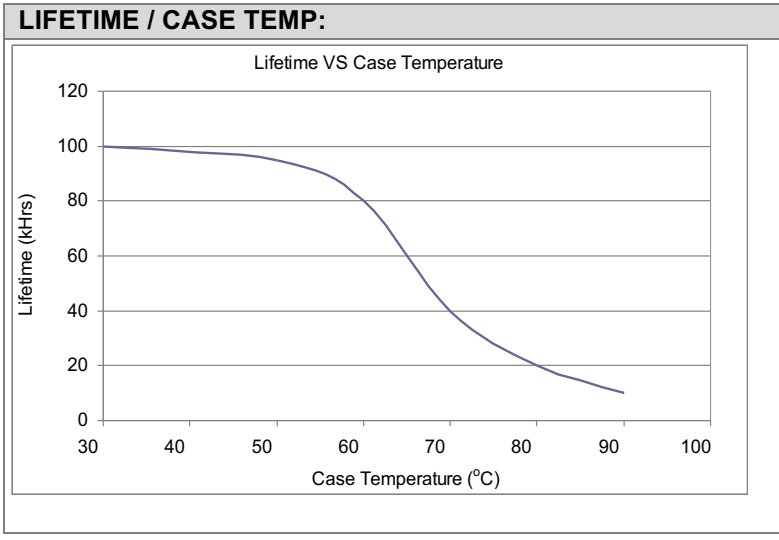
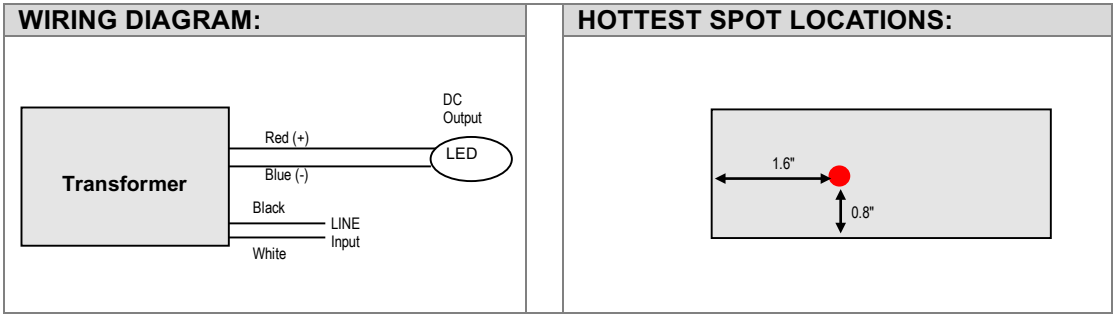
PRODUCT SPECIFICATIONS:							
Model Number	Max output power	Output Current	Output Voltage	Efficiency	Remote mounting distance (#18 AWG)	Class 2	
						US	Canada
KTLD-10-1N-300-F3	10W	300mA	6 - 33V	77%	128 ft	√	√
KTLD-10-1N-330-F3	10W	330mA	9 -30V	77%	116 ft	√	√
KTLD-10-1N-350-F3	10W	350mA	7.5 - 30V	77%	109 ft	√	√
KTLD-10-1N-380-F3	10W	380mA	6.5 - 28V	77%	101 ft	√	√

SAFETY AND EMC COMPLIANCE:	
UL/cUL	UL 8750
FCC, 47CFR Part 15	Class B Consumer Limit
EN61000-3-2	

PHYSICAL DIMENSIONS:	
Length (L):	2.68"
Width (W):	1.30"
Height (H):	0.79"
Mounting (M):	
Weight:	0.10 kg
WIRE SPECIFICATIONS:	
Input:	12", UL 1316 #18AWG (Black and White)
Output:	12", UL 1316 #18AWG (Red and Blue)



Available for purchase at www.lightbulbsurplus.com or email at sales@lightbulbsurplus.com



Available for purchase at www.lightbulbsurplus.com or email at sales@lightbulbsurplus.com