



# KTAT-250-480-277 /SF

## STEP-DOWN AUTO-TRANSFORMER



### DESCRIPTION

Step-Down Auto-Transformer (Non-Isolated) | 480Vac or 347Vac Input | 277Vac or 200Vac Output

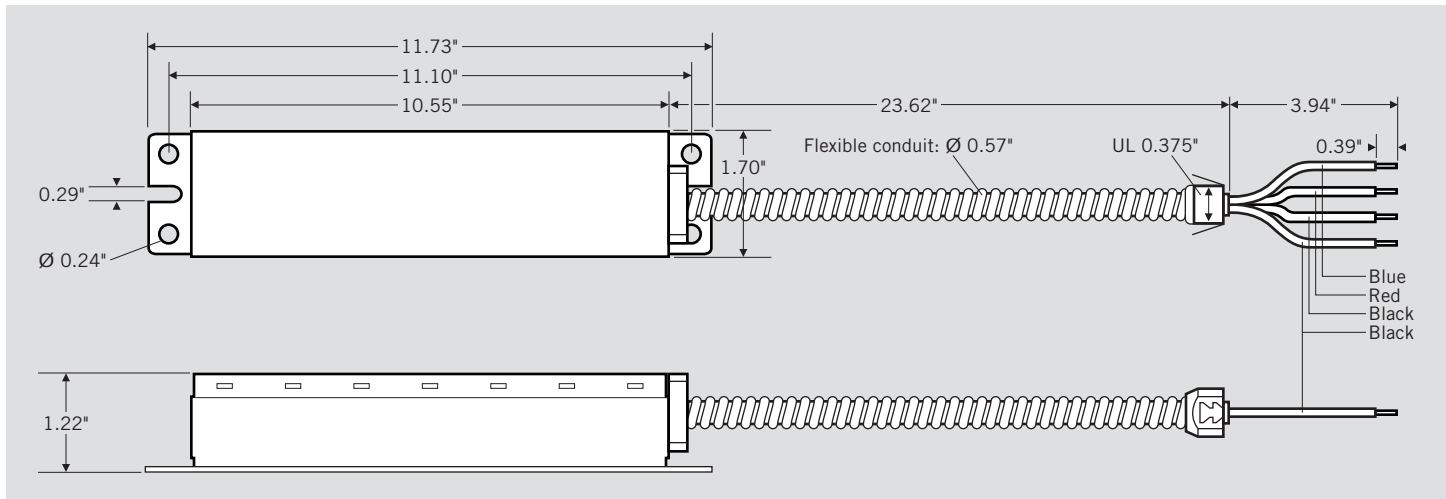
<b>INPUT VOLTAGE:</b> 480Vac ±10% / 347Vac ±10%
<b>OUTPUT VOLTAGE:</b> 277Vac @ 480Vac / 200Vac @ 347Vac
<b>MAXIMUM POWER:</b> 250VA @ 480Vac / 180VA @ 347Vac
<b>NUMBER OF OUTPUTS:</b> One
<b>SAFETY STANDARD:</b> UL 5085
<b>LOCATION:</b> IP20 for dry and damp locations
<b>WARRANTY:</b> 5 Years



### ELECTRICAL SPECIFICATIONS

<b>Input Voltage Range</b>	480Vac ±10% / 347Vac ±10%
<b>Frequency</b>	60 Hz
<b>Max. Input Current</b>	0.57A @480V with 100% load condition/0.16A @480V with open load condition
<b>Efficiency</b>	93% typical
<b>No Load Power Consumption</b>	<7W
<b>Withstand Voltage</b>	Input to output, 2,000Vac, 10mA
<b>Sound Rated</b>	A
<b>Protection</b>	Thermally protected
<b>UL/cUL</b>	UL 5085 listed
<b>Maximum Case Temperature</b>	105°C/221°F

### PHYSICAL SPECIFICATIONS





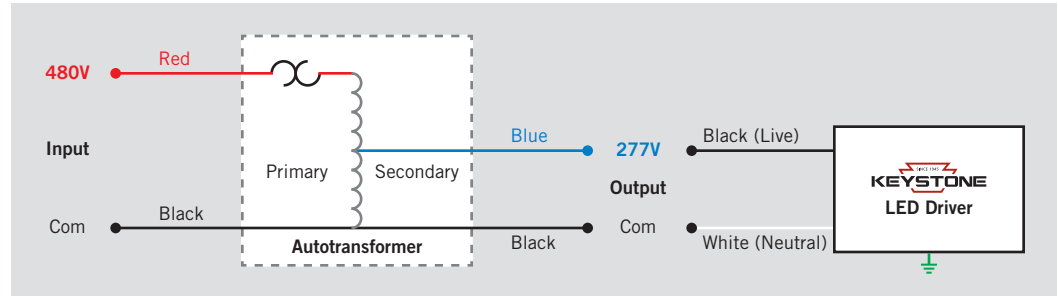
# KTAT-250-480-277 /SF

## STEP-DOWN AUTO-TRANSFORMER

### WIRING SPECIFICATIONS

Input	Red, Black: 14", UL 1316 #14AWG
Output	Black, Blue: 14", UL 1316 #14AWG

### WIRING DIAGRAM



#### Notes:

Wiring for 3-phase Wye (or star) power supply: connect any two phase wires to autotransformer input.

Wiring for 3-phase Delta power supply with proper grounding: connect 480V and ground reference legs to autotransformer input.

### PACKAGING

2.42 lbs/unit; 8 pcs/carton; 480 pcs/pallet	
Box/ Carton Size	17.32" × 3.94" × 1.57" / 17.72" × 8.27" × 7.08"
Carton Weight	18.96 lbs
Case Material	Metal

### ORDERING INFORMATION

ORDER CODE	PACK QUANTITY	EASY CODE	UPC
KTAT-250-480-277 /SF-IP	8	XIM-17	843654102931

### CATALOG NUMBER BREAKDOWN

# KTAT-250-480-277 /SF-IP

1

2

3

4

5

6

- 1 Keystone Technologies Auto-Transformer
- 2 Max. Power (VA)
- 3 Input Voltage
- 4 Output Voltage
- 5 Single-Flex
- 6 Packaging Style