



KT-RKIT20PS-2AG11-8XX-VDIM

POWER-SELECTABLE LED RETROFIT KIT



DESCRIPTION

UL 1598C Classified LED retrofit kit. Includes the following components:

- (1) Power-Selectable LED Driver • (2) 11" Alumagroove LED Modules • (2) Lenses
- Mounting Accessories (Jumper Wires, Tek Screws, Power Quick-Disconnect)

APPLICATION

Suitable for use in troffers, wraps, strips, vapor tights, and other fixture types

SYSTEM FEATURES

- Power/lumens are selectable via DIP switch
- For use in Class 2 lighting systems
- High lumen density design
- Completely heat sunked; No additional heat sinking needed to maintain LED lifetime
- UL classified for field installation
- 2835 LED chip package
- Beam angle: 120°
- Low-profile WAGO push connectors located on bottom of modules to eliminate dark spots on end-to-end connections
- 120–277V input; High power factor; 0–10V dimming
- Meets FCC Part 15 Class B (consumer) limit for EMI
- Operating temperature: –20°C/–4°F to 55°C/131°F
- THD: <20%



KT-RKIT20PS-2AG11-8XX-VDIM

POWER-SELECTABLE LED RETROFIT KIT

PERFORMANCE SPECIFICATIONS

1' LINEAR KIT • 80 CRI • SWITCHABLE BETWEEN 1,600 LM, 2,400 LM, AND 2,800 LM • 0-10V DIMMING

KIT SPECIFICATIONS: Driver: KTLD-20-UV-PS600-34-VDIM-LA1
 Module: KTAG-11L-350-30-8XX-RJ
 Lens: KTAG-11L-LENS

Color Temp	Input Voltage	CRI	No. of Modules	Total System Drive Current	Drive Current per Module	Total System Lumens	Total Module Power	Module Efficacy	Driver Efficiency	Total System Power	Total System Efficacy
Set at 1,600 lm											
3500K	120-277V	>80	2	330mA	165mA	1550 lm	8.8W	176 lm/W	83%	10.6W	146 lm/W
4000K	120-277V	>80	2	330mA	165mA	1580 lm	8.8W	180 lm/W	83%	10.6W	149 lm/W
5000K	120-277V	>80	2	330mA	165mA	1642 lm	8.8W	187 lm/W	83%	10.6W	155 lm/W
Set at 2,400 lm											
3500K	120-277V	>80	2	500mA	250mA	2333 lm	13.54W	172 lm/W	83%	16.3W	143 lm/W
4000K	120-277V	>80	2	500mA	250mA	2374 lm	13.54W	175 lm/W	83%	16.3W	146 lm/W
5000K	120-277V	>80	2	500mA	250mA	2413 lm	13.54W	178 lm/W	83%	16.3W	148 lm/W
Set at 2,800 lm*											
3500K	120-277V	>80	2	600mA	300mA	2730 lm	16.41W	166 lm/W	83%	19.8W	138 lm/W
4000K	120-277V	>80	2	600mA	300mA	2760 lm	16.41W	168 lm/W	83%	19.8W	139 lm/W
5000K	120-277V	>80	2	600mA	300mA	2837 lm	16.41W	173 lm/W	83%	19.8W	143 lm/W

* Default setting

WIRING

WIRING SPECIFICATIONS

Input

Black	10"; UL Rated; SJTW; #18AWG
White	10"; UL Rated; SJTW; #18AWG

Output (Module)

Red	12"; UL Rated; SJTW; #18AWG
Blue	12"; UL Rated; SJTW; #18AWG

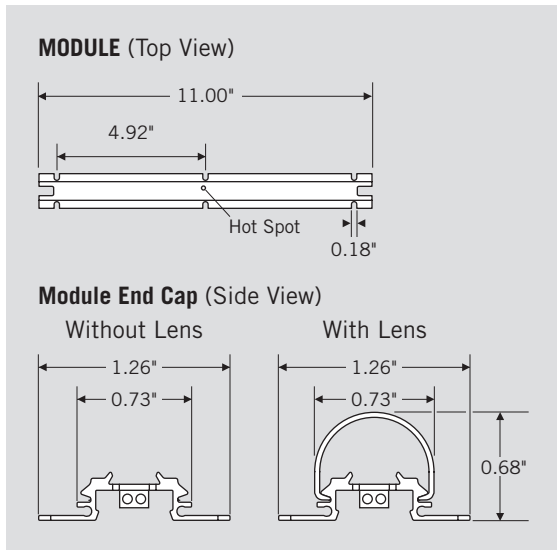
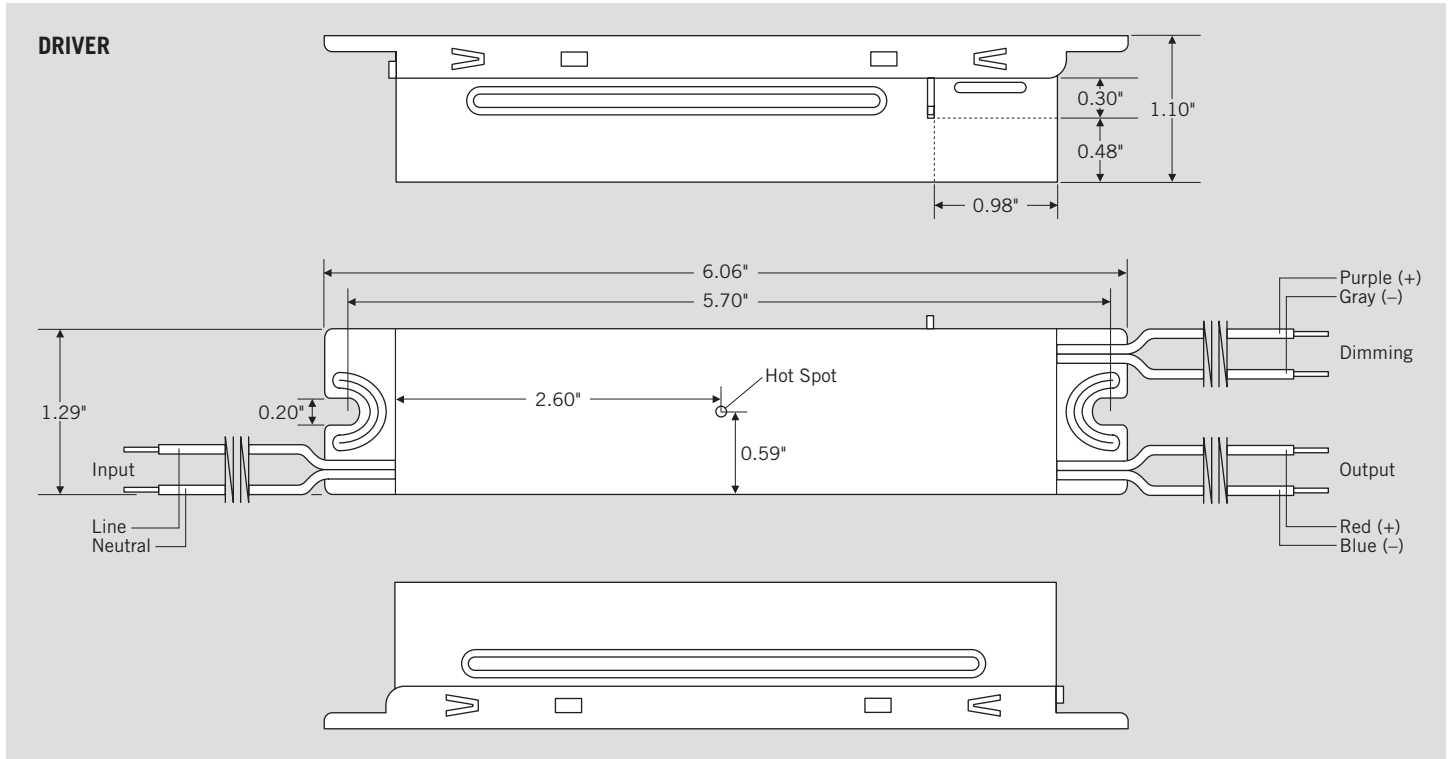
Output (Dimming)

Purple	10"; UL Rated; SJTW; #18AWG
Gray	10"; UL Rated; SJTW; #18AWG

KT-RKIT20PS-2AG11-8XX-VDIM

POWER-SELECTABLE LED RETROFIT KIT

PHYSICAL SPECIFICATIONS





KT-RKIT20PS-2AG11-8XX-VDIM

POWER-SELECTABLE LED RETROFIT KIT

ORDERING INFORMATION

ORDER CODE	PACK QTY.	EASY CODE	UPC
KT-RKIT20PS-2AG11-835-VDIM	20	PRG-52	843654128207
KT-RKIT20PS-2AG11-840-VDIM	20	OPW-80	843654128214
KT-RKIT20PS-2AG11-850-VDIM	20	FCW-44	843654128221

CATALOG NUMBER BREAKDOWN

KT-RKIT20PS-2AG11-8XX-VDIM

1
2
3
4
5
6
7
8
9

- 1** Keystone Technologies
- 2** Retrofit Kit
- 3** Wattage
- 4** Power Select
- 5** Number of Modules
- 6** 11" Alumagroove Modules
- 7** 80 CRI
- 8** Color Temperature
- 9** 0-10V Dimming