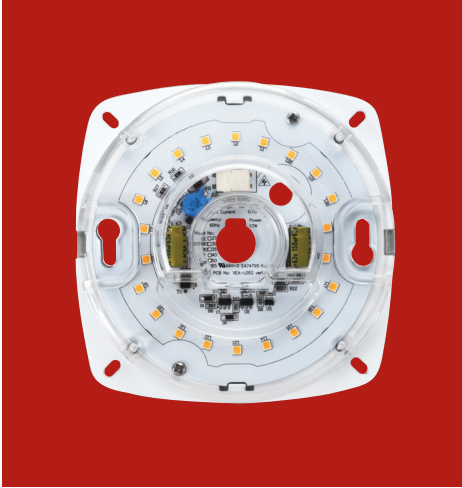


# KT-RKIT17AC-4C-9XX-FDIM



## DESCRIPTION

90 CRI AC LED Light Engine



## PRODUCT FEATURES

- L70 > 50,000 hours
- Operating temperature: -18°C/0°F to 40°C/104°F
- UL Classified
- High factor: >.90
- Seoul LEDs
- Suitable for fully enclosed fixtures
- THD: <20%
- 5% minimum dimming, low flicker
- Comes with mounting accessories
- Pre-assembled with metal heatsink 5VA cover

## PERFORMANCE SPECIFICATIONS

Size	Catalog Number	Color Temp	CRI	Wattage	Lumens	Efficacy	Input Voltage	Dimming Method
4" Round	KT-RKIT17AC-4C-927-FDIM	2700K	>90	17W	1,105 lm	65 lm/W	120V	Phase Control
	KT-RKIT17AC-4C-930-FDIM	3000K	>90	17W	1,150 lm	68 lm/W	120V	Phase Control
	KT-RKIT17AC-4C-940-FDIM	4000K	>90	17W	1,200 lm	71 lm/W	120V	Phase Control
	KT-RKIT17AC-4C-950-FDIM	5000K	>90	17W	1,245 lm	73 lm/W	120V	Phase Control

## COMPATIBLE DIMMERS

Manufacturer	Model Number
Lutron	S-600PR-WH
Lutron	TGCL-153PH-WH
Lutron	MACL-153MH-LA
Leviton	WA-RXX-06674-12A

For questions about additional dimmer compatibility, please contact Keystone.

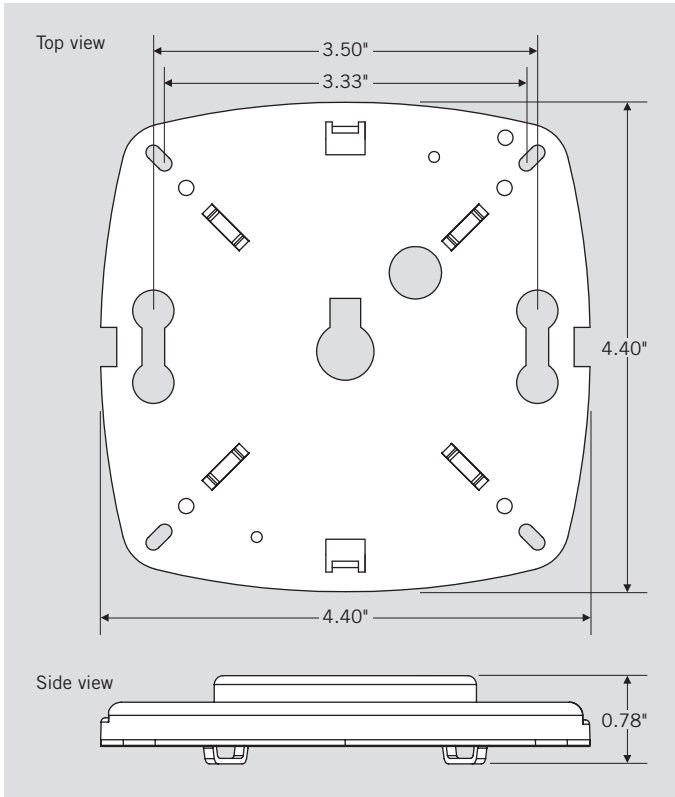
## EQUIVALENCES

- 2 × 40W Incandescent
- 2 × 11W CFL
- 20W T9 Circline

# KT-RKIT17AC-4C-9XX-FDIM

## PHYSICAL SPECIFICATIONS

### 4" ROUND LIGHT ENGINE



## CATALOG NUMBER BREAKDOWN

# KT-RKIT17AC-4C-9XX-FDIM

1 2 3 4 5 6 7 8

- 1 Keystone Technologies
- 2 Future Fit Kit
- 3 Wattage
- 4 Alternating Current
- 5 4" Circular
- 6 900 Series
- 7 Color Temperature
- 8 Phase Control Dimming