

KT-RKIT16AC-5C-8XX-FDIM

DESCRIPTION

80 CRI AC LED Light Engine



PRODUCT FEATURES

- L70 > 50,000 Hours
- Operating Temperature: 0°F-104F°, -18°C-40°C
- UL Classified
- High Factor >.90
- Samsung LEDs
- Suitable for Fully Enclosed Fixtures
- THD <20%
- 5% Minimum Dimming, Low Flicker
- Comes with mounting accessories
- Pre-assembled with Metal Heatsink 5VA Cover

PERFORMANCE SPECIFICATIONS

Size	Catalog Number	Color Temp	CRI	Wattage	Lumens	Efficacy	Input Voltage	Dimming Method
5.5" Round	KT-RKIT16AC-5C-830-FDIM	3000K	>80	16W	1650	103 lm/W	120V	Phase Dimming
	KT-RKIT16AC-5C-830-FDIM	4000K	>80	16W	1670	104 lm/W	120V	Phase Dimming
	KT-RKIT16AC-5C-830-FDIM	5000K	>80	16W	1700	106 lm/W	120V	Phase Dimming

COMPATIBLE DIMMERS

Manufacturer	Model Number
Lutron	S-600PR-WH
Lutron	TGCL-153PH-WH
Lutron	MACL-153MH-LA
LEVITON	WA-RXX-06674-12A

EQUIVALENCES

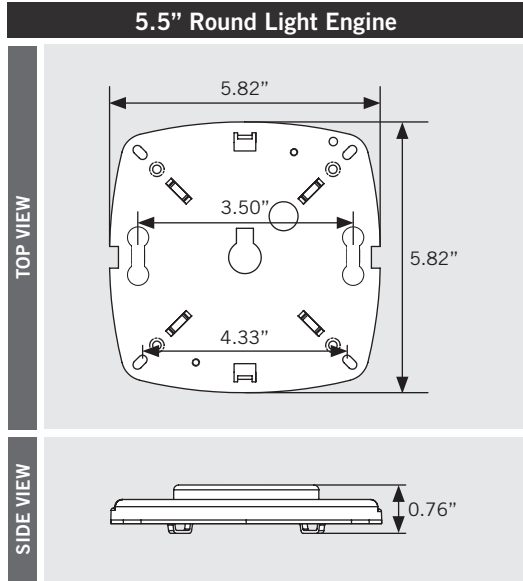
- 2 x 40W Incandescent
- 2 x 11W CFL
- 20W T9 Circline

For questions on additional dimmer compatibility, please contact Keystone.



KT-RKIT16AC-5C-8XX-FDIM

DIMENSIONS



CATALOG NUMBER BREAKDOWN

KT-RKIT16AC-5C-8XX-FDIM

1
2
3
4
5
6
7
8

1. Keystone Technologies
2. Future Fit Kit
3. Wattage
4. Alternating Current
5. 3" Circular
6. 800 Series
7. Color Temperature
8. Phase Control Dimming