



KT-PLED-SM-XX-KIT

SURFACE MOUNT KIT

KT-PLED-SM-14-KIT

DESCRIPTION: Surface Mount Kit for 1x4 LED Panel Lights. White Finish.

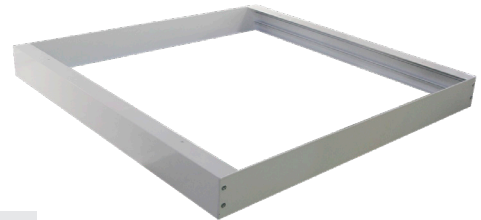


KT-PLED-SM-22-KIT

DESCRIPTION: Surface Mount Kit for 2x2 LED Panel Lights. White Finish.

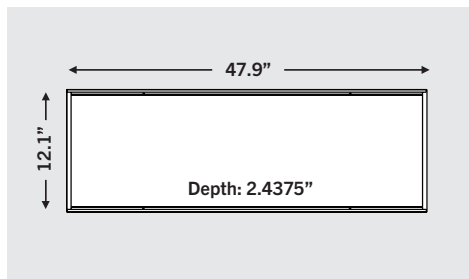
KT-PLED-SM-24-KIT

DESCRIPTION: Surface Mount Kit for 2x4 LED Panel Lights. White Finish.

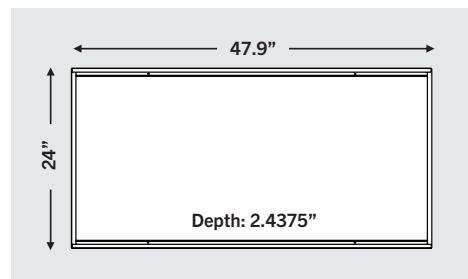


DIMENSIONS:

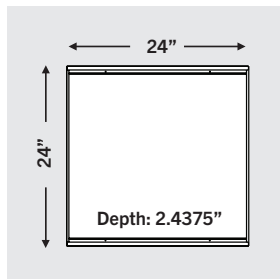
1x4



2x4



2x2



CONTENTS

(4) Brackets with Assembly and Mounting Hardware

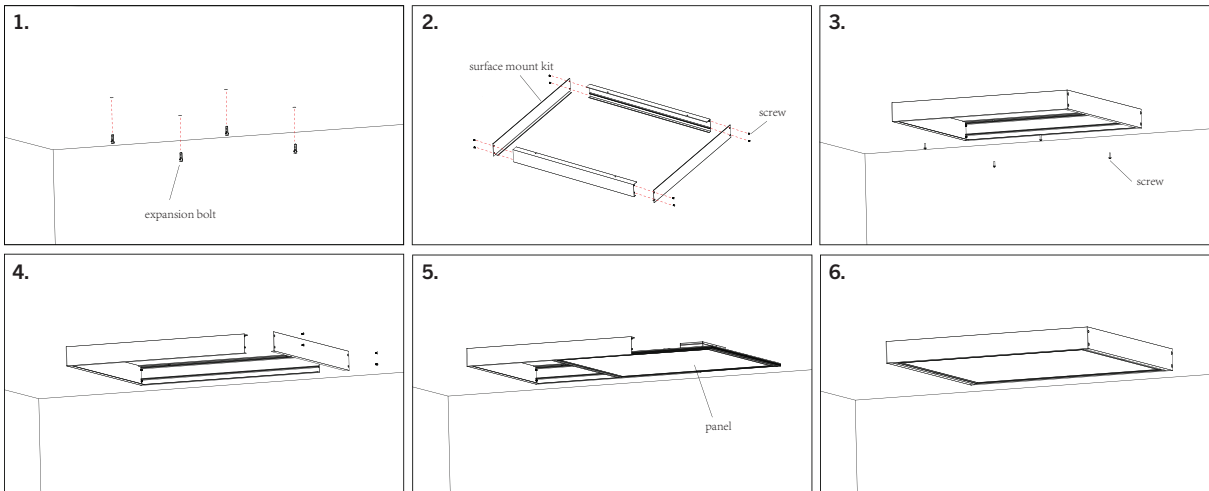




KT-PLED-SM-XX-KIT

SURFACE MOUNT KIT

SURFACE MOUNT INSTALLATION (Frame Kit Sold Separately)



The installation must be carried out by a qualified electrician.

1. Drill Holes in the Ceiling Based on the Position and Size of the Holes of the Surface Mount Kit. Ensure Ceiling is Sturdy Enough to Hold Weight of LED Panel.
2. Connect the Surface Mount Kit by Using Supplied Screws.
3. Mount the Surface Mount Frame to the Ceiling by Using Screws.
4. Take off One Part of the Surface Mount Frame as Illustrated.
5. Insert the Panel into the Surface Mount Frame.
6. Reattach Side that was Removed in Step 4.

ORDERING INFORMATION

Order Code	Pack Quantity	UPC	Easy Code
KT-PLED-SM-22-KIT	1	89094901506	ABP-72
KT-PLED-SM-14-KIT	1	89094901507	XFU-85
KT-PLED-SM-24-KIT	1	89094901508	HHP-95

CATALOG NUMBER BREAKDOWN

KT-PLED-SM-XX-KIT

1 2 3 4 5

- 1 Keystone Technologies
- 2 Panel Light LED Fixture
- 3 Surface Mount
- 4 Wattage
- 5 Kit