

**LAMP TYPE:** 50W Metal Halide (M110/M148)

**INPUT VOLTAGE:** Quad Tap (120/208/240/277)

**CIRCUIT TYPE:** HX

### PRODUCT FEATURES

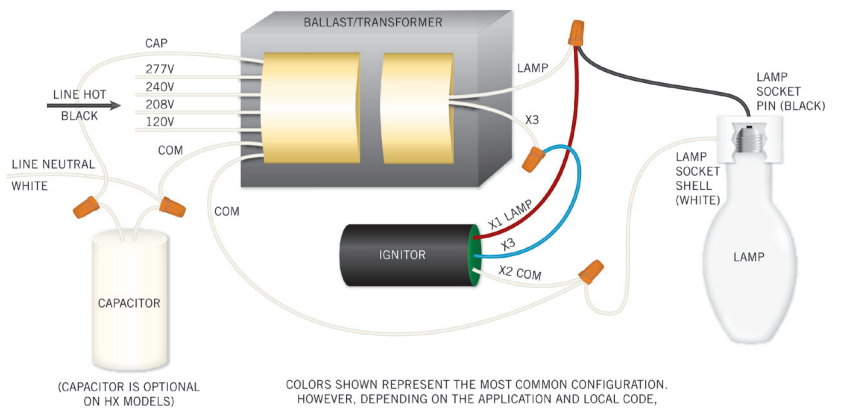
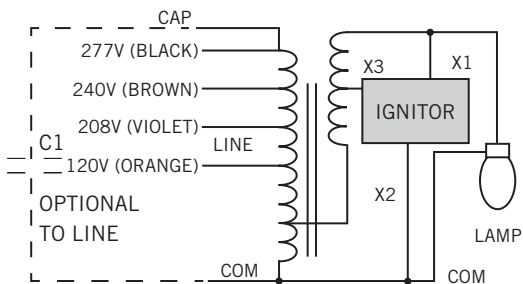
- ANSI Designation: M110/M148
- Line Voltage: 120/208/240/277
- Regulation: 5% Line Volts; 10% Lamp Watts
- Frequency: 60 Hz
- Recommended Fuse (A): 5/3/3/2
- Circuit Type: HX
- Insulation Class: 200°C
- Capacitor: 6  $\mu$ F
- Capacitor Voltage Rating: 280 V
- Capacitor Temperature Rating: 100°C
- Winding Materials: Al/Al
- Agency Certification: RU, cRU
- Ignitor: IGN-XG-04

### ELECTRICAL SPECIFICATIONS

LINE VOLTAGE	POWER FACTOR	LINE CURRENT			INPUT POWER	OPEN CIRCUIT VOLTAGE	MINIMUM START TEMP	CLASS N 200°C UL TEMP CODE
		OPERATING	OPEN CIRCUIT	STARTING				
120V	High	0.6A	1.2A	0.6A	70W	258V	-20°F/-30°C	A
208V	High	0.4A	0.8A	0.4A	70W	258V	-20°F/-30°C	A
240V	High	0.3A	0.6A	0.3A	70W	258V	-20°F/-30°C	A
277V	High	0.3A	0.5A	0.3A	70W	258V	-20°F/-30°C	A

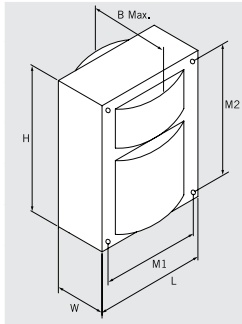
### WIRING DIAGRAM

DIAGRAM H4B



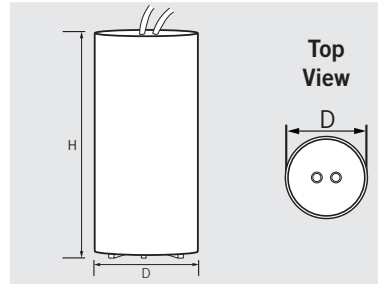
### PHYSICAL SPECIFICATIONS

#### BALLAST SPECIFICATIONS



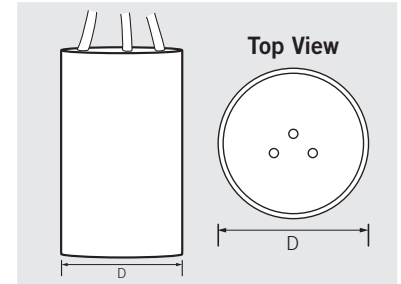
<b>LENGTH</b>	2.81"
<b>WIDTH</b>	1.04"
<b>HEIGHT</b>	3.94"
<b>MOUNTING 1</b>	2.44"
<b>MOUNTING 2</b>	3.50"
<b>B MAX.</b>	2.48"
<b>NET WEIGHT</b>	3.10 lbs
<b>LEAD LENGTH</b>	12-14"

#### CAPACITOR SPECIFICATIONS



<b>DIAMETER</b>	1.38"
<b>HEIGHT</b>	3.17"
<b>TYPE</b>	Dry Film

#### IGNITOR SPECIFICATIONS



<b>DIAMETER</b>	1.40"
<b>HEIGHT</b>	2.60"
<b>TYPE</b>	HX

### ORDERING INFORMATION

ORDER CODE	PACKAGING STYLE	PACK QTY.	ITEM STATUS
MH-50X-Q-KIT /A	Individually Packaged	1	Quick Ship

Each kit includes the ballast pre-wired to a properly rated capacitor and ignitor (if required), mounting hardware, and pictorial installation guide.

**NOTE:** Version P4 (Manufacturing Revision). Prior versions of this ballast exist. Spec sheets for prior versions available upon request. Contact Keystone for details.

### CATALOG NUMBER BREAKDOWN

# MH-50X-Q-KIT

