



EXTERNAL DRIVE LED

TYPE C LED TUBES

KT-LED8T8-24G-8XX-E

T8 LED LAMP

DESCRIPTION

8W T8 LED Tube | Type C | 3000–5000K | >83 CRI | 0–10V Dimming



RoHS Compliant

5 YEAR WARRANTY

LAMP TYPE: Linear
BULB TYPE: T8 LED
BASE TYPE: G13 (Medium Bi-Pin)
DIMMING TYPE: 0–10V
WATTAGE: 8W
LAMP INPUT VOLTAGE: 36–45Vdc
COLOR TEMPERATURE: 3000–5000K
COLOR RENDERING INDEX (CRI): >83



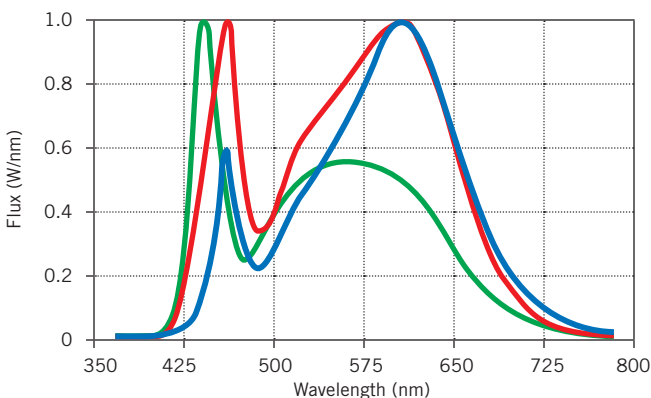
PRODUCT FEATURES

- Compatible with Keystone external drive LED drivers
- Replacement for conventional fluorescent lamps
- 50,000+ hour lifetime
- Type C application for custom installations and maximum efficiency
- Environmentally friendly: No mercury used
- Instant startup
- Frosted glass eliminates pixelation
- UL Classified (pending)
- Operating temperature: –20°C/–4°F to 45°C/113°F
- 120+ lumens per watt
- DLC Listed

OPERATING SPECIFICATIONS

Catalog Number	Color Temp.	KTLD-2LT8-UV-8C-VDIM						KTLD-4LT8-UV-8C-VDIM						
		1 Lamp			2 Lamps			3 Lamps			4 Lamps			Power Factor
		Nominal Input Power	Nominal Lumens	Nominal Efficacy	Nominal Input Power	Nominal Lumens	Nominal Efficacy	Nominal Input Power	Nominal Lumens	Nominal Efficacy	Nominal Input Power	Nominal Lumens	Nominal Efficacy	
KT-LED8T8-24G-830-E	3000K	9W	1,100	122 lm/W	18W	2,200	122 lm/W	27W	3,300	122 lm/W	36W	4,400	122 lm/W	>0.9
KT-LED8T8-24G-835-E	3500K	9W	1,125	125 lm/W	18W	2,250	125 lm/W	27W	3,375	125 lm/W	36W	4,500	125 lm/W	>0.9
KT-LED8T8-24G-840-E	4000K	9W	1,150	128 lm/W	18W	2,300	128 lm/W	27W	3,450	128 lm/W	36W	4,600	128 lm/W	>0.9
KT-LED8T8-24G-850-E	5000K	9W	1,200	133 lm/W	18W	2,400	133 lm/W	27W	3,600	133 lm/W	36W	4,800	133 lm/W	>0.9

SPECTRAL DISTRIBUTION



RATED LIFE

L70 (Hours)	50,000
-------------	--------

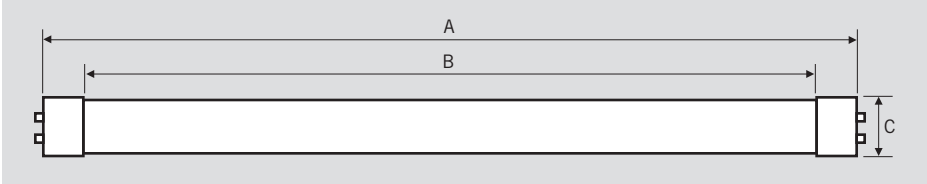
BEAM ANGLE: 240°

VISIBLE LIGHT AREA: 325°

Flux (W/nm)
— 3000K, 3500K
— 4000K
— 5000K

KT-LED8T8-24G-8XX-E
T8 LED LAMP

PHYSICAL CHARACTERISTICS

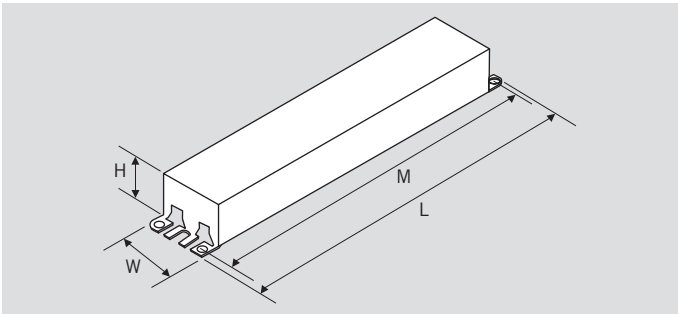


LAMP DIMENSIONS

A (Body Length)	23.23"
B (Illuminated Length)	22.12"
C (Diameter)	1.00"

NOMINAL LENGTH: 48"

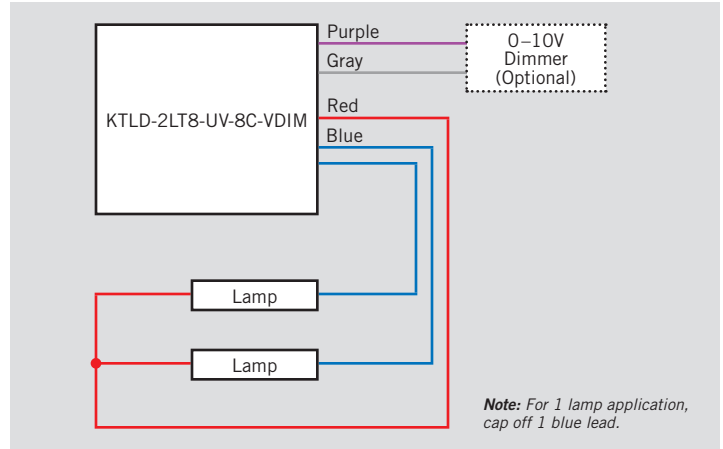
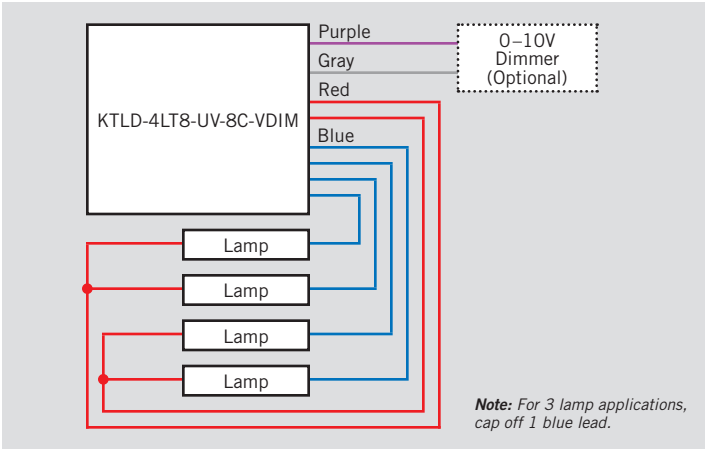
BASE TYPE: G13 (Medium Bi-Pin)



DRIVER DIMENSIONS

KTLD-2LT8-UV-8C-VDIM		KTLD-4LT8-UV-8C-VDIM	
Length (L)	9.50"	Length (L)	9.60"
Width (W)	1.30"	Width (W)	1.80"
Height (H)	1.10"	Height (H)	1.30"
Mounting (M)	8.90"	Mounting (M)	8.90"

WIRING DIAGRAMS





KT-LED8T8-24G-8XX-E

T8 LED LAMP

ORDERING INFORMATION

ORDER CODE	PACKAGING STYLE	PACK QTY.	ITEM STATUS
KT-LED8T8-24G-8XX-E-CP	Carton Pack (Egg Crate Packaging)	25	Quick Ship

CATALOG NUMBER BREAKDOWN

KT-LED8T8-24G-8XX-E

- 1 Keystone Technologies
- 2 LED Lamp
- 3 Wattage
- 4 Lamp Type
- 5 Nominal Length (Inches)
- 6 Glass Construction
- 7 800 Series
- 8 Color Temperature
- 9 External Drive Series