



KT-LED36T8-96P-840-D

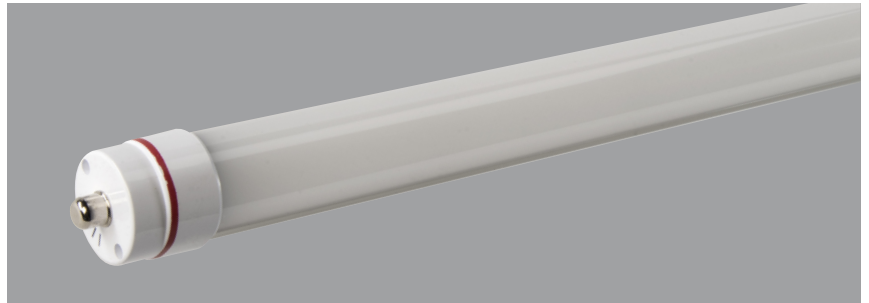
T8 LED LAMP

DESCRIPTION

36W T8 LED | 4000K | >80 CRI | High-Efficiency | 8-Foot



| |
|---|
| LAMP TYPE: Linear |
| BULB TYPE: T8 LED |
| BASE TYPE: Fa8 (Single-Pin) |
| WATTAGE: 36W |
| COLOR TEMPERATURE: 4000K |
| COLOR RENDERING INDEX (CRI): >80 |
| WARRANTY: 5 Years |



PRODUCT FEATURES

- Replacement for conventional T8/T12 8-foot single-pin fluorescent lamp
- Double-ended line voltage wiring: Connect power to each end for simplified installation
- Approximately 50% more energy efficient than standard F96T12 lamps
- Environmentally friendly: No mercury used
- Instant startup
- Includes 2 C-clips to be installed with the lamps into the fixture ballast cover to prevent any potential undesired lamp twisting or sagging
- Frosted lens eliminates pixelation
- UL Classified
- Operating temperature: -20°C/-4°F to 55°C/131°F
- Integral driver (Isolated) eliminates the need for external driver or ballast
- 100+ lumens per watt
- 50,000+ hour lifetime
- Plastic lens with aluminum backing

OPERATING SPECIFICATIONS

ELECTRICAL CHARACTERISTICS

| Input Voltage | Power Consumption | Power Factor | Input Current |
|---------------|-------------------|--------------|------------------------------|
| 120-277Vac | 36W | >0.9 | 0.30A @ 120V 0.14A @ 277V |

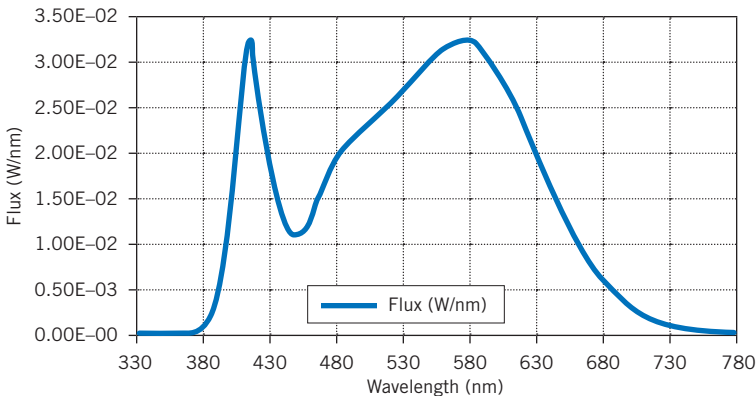
PHOTOMETRIC CHARACTERISTICS

| | |
|-----------------------------|----------|
| Color Temperature (CCT) | 4000K |
| Luminous Flux | 3800 lm |
| Color Rendering Index (CRI) | >80 |
| Efficacy | 106 lm/W |
| Beam Angle | 120° |

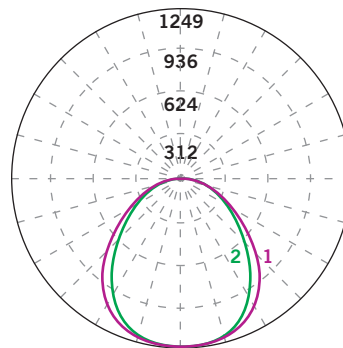
RATED LIFE

| | |
|-------------|--------|
| L70 (Hours) | 50,000 |
|-------------|--------|

SPECTRAL DISTRIBUTION



POLAR CANDELA DISTRIBUTION



Located at:
Horizontal Angle = 0
Vertical Angle = 0

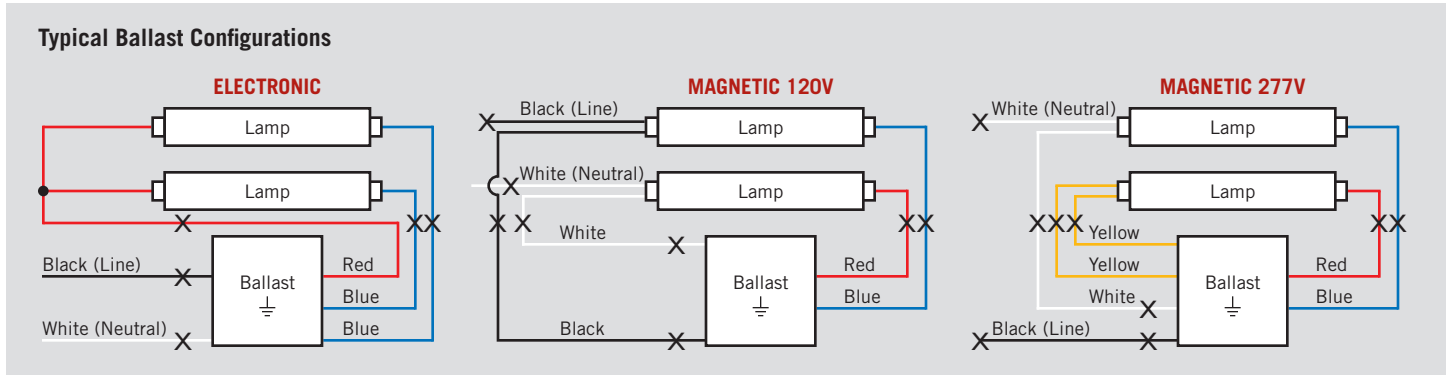
1 Violet Vertical Plane through Horizontal Angles (90-270)
2 Green Vertical Plane through Horizontal Angles (0-180)

KT-LED36T8-96P-840-D

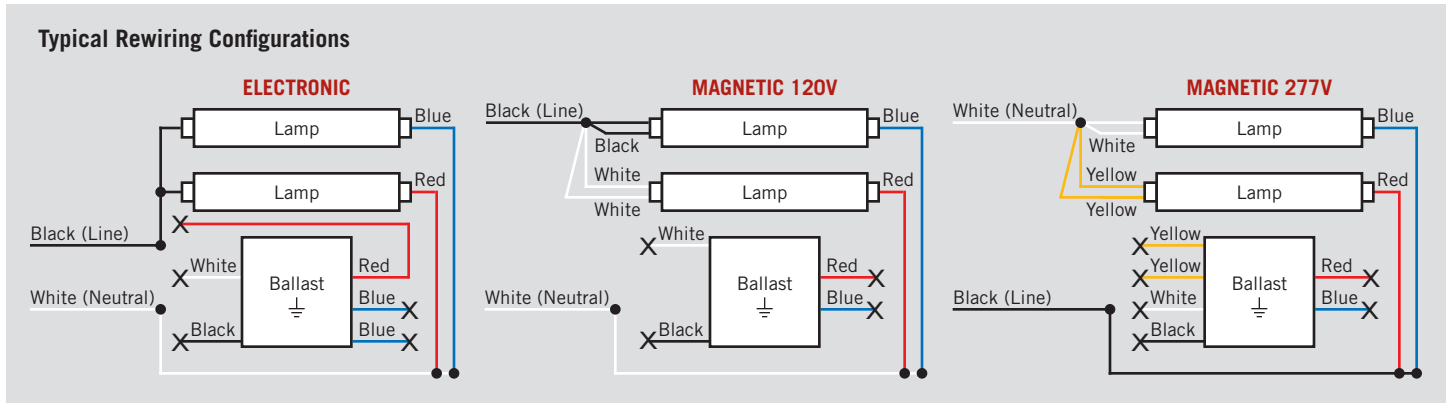
T8 LED LAMP

WIRING INSTRUCTIONS

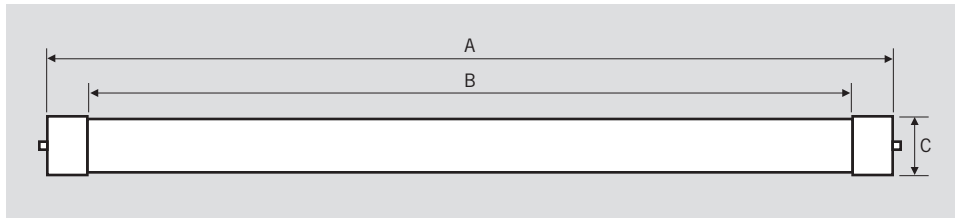
1. Identify ballast configuration as shown below and cut all wires connected to the ballast accordingly.



2. Confirm that the lampholders in the fixture are single-pin Fa8 lampholders. These DirectDrive LED tubes require single-pin Fa8 lampholders.
3. Rewire the fixture using existing lampholders, as shown below, according to the original ballast wiring configuration.



PHYSICAL CHARACTERISTICS



LAMP DIMENSIONS

| | |
|--|---------------|
| A (Body Length) | 93.31" |
| B (Illuminated Length) | 91.50" |
| C (Cross-section: Width x Height) | 1.08" x 1.31" |

NOMINAL LENGTH: 96"

BASE TYPE: Fa8 (Single-Pin)



DIRECT DRIVE LED
LINE VOLTAGE T8 TUBES

KT-LED36T8-96P-840-D

T8 LED LAMP

ORDERING INFORMATION

| ORDER CODE | PACKAGING STYLE | PACK QTY. | ITEM STATUS |
|-------------------------|---------------------------------------|-----------|-------------|
| KT-LED36T8-96P-840-D-DP | Distributor Pack (Individual Cartons) | 20 | Quick Ship |

CATALOG NUMBER BREAKDOWN

KT-LED36T8-96P-840-D-DP

1 2 3 4 5 6 7 8 9 10

- 1 Keystone Technologies
- 2 LED Lamp
- 3 Wattage
- 4 Lamp Type
- 5 Nominal Length (Inches)
- 6 Plastic/Aluminum Case
- 7 800 Series
- 8 Color Temperature
- 9 Direct Drive Series
- 10 Packaging Style