



KT-LED12T8-U6P-8XX-E

T8 U-BEND LED LAMP

DESCRIPTION

12W T8 U-Bend LED | Type C | 3500–5000K | >82 CRI | 0–10V Dimming



RoHS Compliant



LAMP TYPE: U-Bend
BULB TYPE: T8 LED
BASE TYPE: G13 (Medium Bi-Pin)
DIMMING TYPE: 0–10V
WATTAGE: 12W
COLOR TEMPERATURE: 3500–5000K
COLOR RENDERING INDEX (CRI): >80

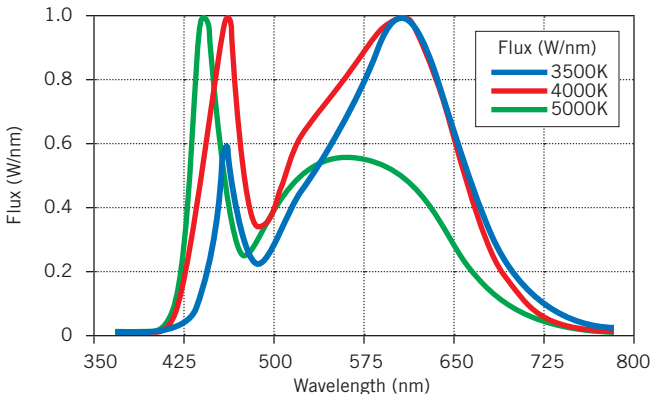
PRODUCT FEATURES

- UL Type C LED tubes, powered by Keystone Type C LED drivers
- UL Classified Std. 1598C
- Plastic construction
- Operating temperature: –20°C/–4°F to 45°C/113°F
- THD <15% at full driver load
- PF >0.90 at full driver load
- 0–10V dimmable
- 50,000+ hours lifetime
- Keystone tube and driver pairing wires are exactly the same as an Instant Start T8 ballast for quick and easy installation
- Low optical flicker

LAMP SPECIFICATIONS

Catalog Number	Color Temp.	Driver: KTLD-1LT8-UV-12C-VDIM			Driver: KTLD-2LT8-UV-12C-VDIM			
		1 Lamp			2 Lamps			
		Nominal Input Power	Nominal Lumens	Nominal Efficacy	Nominal Input Power	Nominal Lumens	Nominal Efficacy	Power Factor
KT-LED12T8-U6P-835-E	3500K	13W	1700 lm	130 lm/W	26W	3400 lm	130 lm/W	>0.9
KT-LED12T8-U6P-840-E	4000K	13W	1750 lm	134 lm/W	26W	3500 lm	134 lm/W	>0.9
KT-LED12T8-U6P-850-E	5000K	13W	1800 lm	138 lm/W	26W	3600 lm	138 lm/W	>0.9

SPECTRAL DISTRIBUTION



RATED LIFE

L70 (Hours)	50,000
-------------	--------



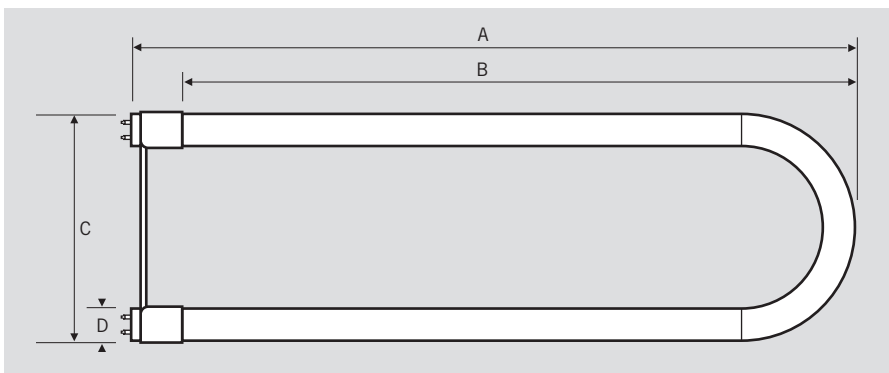
KT-LED12T8-U6P-8XX-E

T8 U-BEND LED LAMP

DRIVER SPECIFICATIONS

Catalog Number	Description	Dimensions
KTLD-1LT8-UV-12C-VDIM	Driver for (1) T8 U-Bend lamp; 120–277V input, 0–10V dimming; 270mA output current	1.10" × 1.30" × 9.50"
KTLD-2LT8-UV-12C-VDIM	Driver for (2) T8 U-Bend lamps; 120–277V input, 0–10V dimming; 270mA output current	1.10" × 1.33" × 9.50"

PHYSICAL CHARACTERISTICS

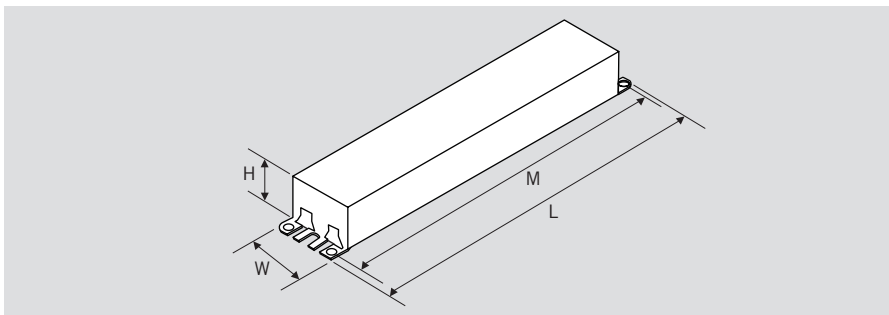


LAMP DIMENSIONS

A (Body Length)	22.55"
B (Illuminated Length)	20.71"
C (Body Width)	5.98"
D (Diameter)	1.10"

NOMINAL LENGTH: 48"

BASE TYPE: G13



DRIVER DIMENSIONS

KTLD-1LT8-UV-12C-VDIM		KTLD-2LT8-UV-12C-VDIM	
Length (L)	9.50"	Length (L)	9.50"
Width (W)	1.30"	Width (W)	1.30"
Height (H)	1.10"	Height (H)	1.10"
Mounting (M)	8.90"	Mounting (M)	8.90"



KT-LED12T8-U6P-8XX-E

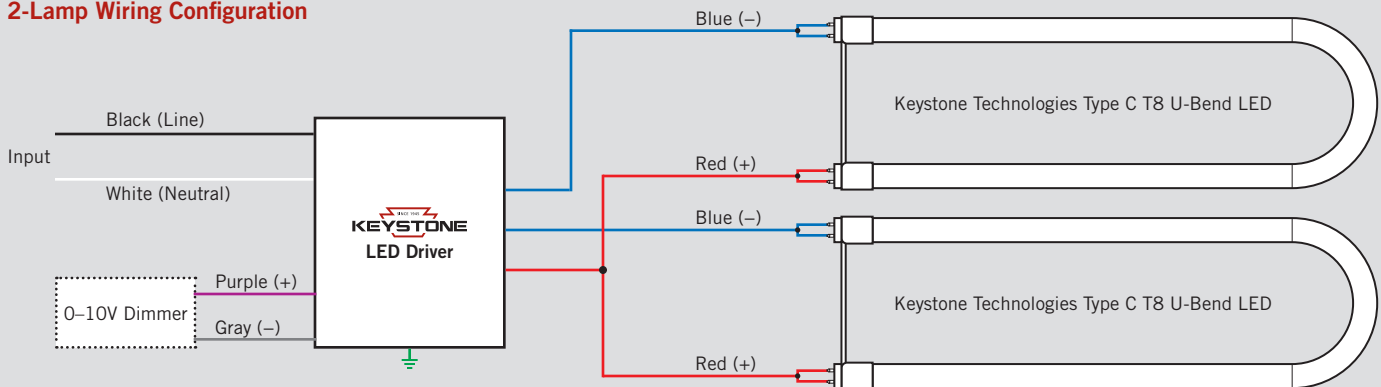
T8 U-BEND LED LAMP

WIRING INSTRUCTIONS

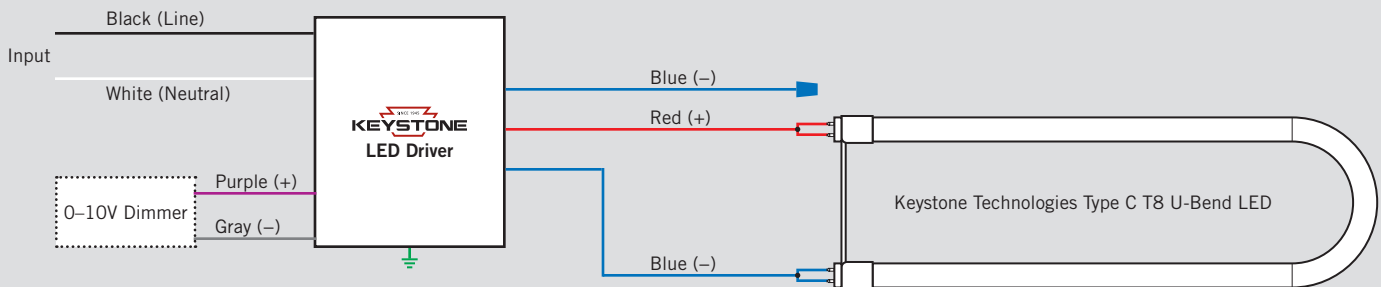
1. Shut off power.
2. Wire according to diagrams (as shown below). **Note: Do not leave any loose wires exposed.**

NEW INSTALLATION: DOUBLE-ENDED WIRING

2-Lamp Wiring Configuration



1-Lamp Wiring Configuration



(continued on page 4)



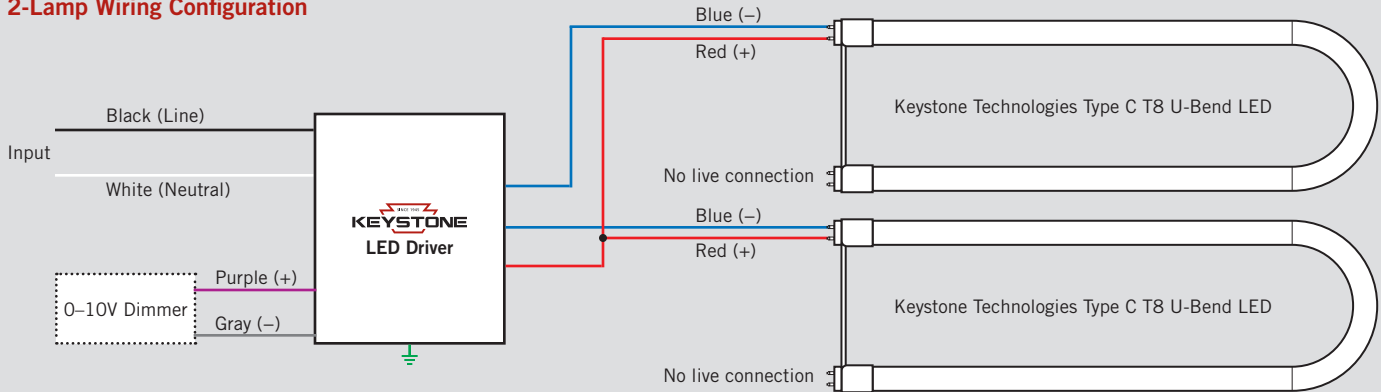
KT-LED12T8-U6P-8XX-E

T8 U-BEND LED LAMP

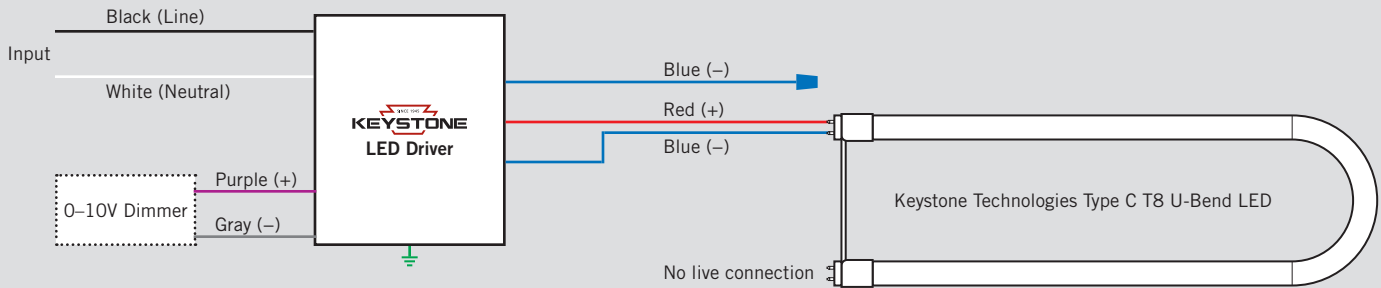
WIRING INSTRUCTIONS *(continued)*

NEW INSTALLATION: SINGLE-ENDED WIRING

2-Lamp Wiring Configuration



1-Lamp Wiring Configuration



3. Close compartment cover and make sure live parts are not accessible. Affix field-applied label in a visible section inside the luminaire.
4. Install the LED tubes and cover the diffuser (if applicable).
5. Turn on power and verify that the tubes are working correctly. **If not, immediately turn off power and contact Keystone Technologies.**

ORDERING INFORMATION

ORDER CODE	PACKAGING STYLE	PACK QTY.	ITEM STATUS
KT-LED12T8-U6P-8XX-E	Carton Pack (Egg Crate Packaging)	25	Quick Ship

CATALOG NUMBER BREAKDOWN

KT-LED12T8-U6P-8XX-E

1 2 3 4 5 6 7 8 9

- 1 Keystone Technologies
- 2 LED Lamp
- 3 Wattage
- 4 Lamp Type
- 5 Nominal Size
- 6 Plastic Construction
- 7 800 Series
- 8 Color Temperature
- 9 External Drive Series