

## KTLD-2LT8-UV-8C-VDIM

### CONSTANT CURRENT LED DRIVER FOR TYPE C T8 LAMPS

#### DESCRIPTION

Constant Current Output | 120–277V Input | 0–10V Dimming



<b>DRIVER TYPE:</b> Constant Current
<b>MAX. OUTPUT POWER:</b> 16.7W
<b>INPUT VOLTAGE:</b> 120–277Vac ± 10%
<b>OUTPUT VOLTAGE:</b> 36–45 Vdc
<b>OUTPUT CURRENT:</b> 185mA × 2 channels
<b>WARRANTY:</b> 5 Years



#### PRODUCT FEATURES

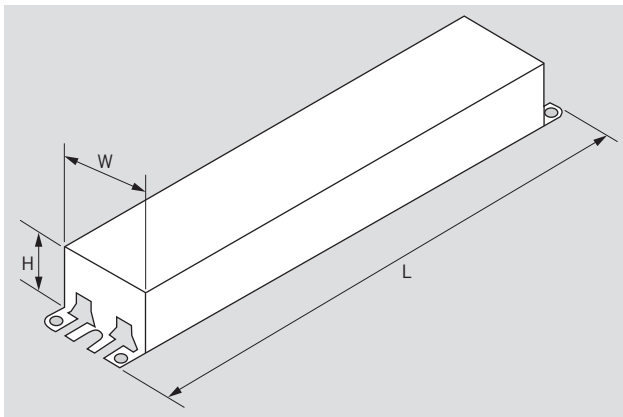
- Compatible with Keystone external drive T8 LED lamps
- Meets FCC Part 15 (Class B) consumer limits
- Short circuit overload and open load protection
- Type 1 outdoor, suitable for dry and damp locations
- UL8750 Recognized component
- Dimmable with 0–10V dimmer, dim maximum 10%
- Operating temperature: –20°C/–4°F to 45°C/113°F
- 85°C/185°F maximum case temperature
- Input frequency: 50/60 Hz
- THD: < 20%

#### ELECTRICAL SPECIFICATIONS

INPUT CHARACTERISTICS				OUTPUT CHARACTERISTICS			FEATURES
Input Voltage	Input Power	Power Factor	Max. Current	Max. Output Power	Rated Output Current	Output Voltage	Efficiency
120–277Vac	20.4W	>0.9	0.17A @ 120V	16.7W	185mA × 2 Channels	36–45Vdc	88%

#### MECHANICAL SPECIFICATIONS

##### CASE DIMENSIONS



<b>LENGTH (L)</b>	9.50"
<b>WIDTH (W)</b>	1.33"
<b>HEIGHT (H)</b>	1.10"

\*TC Point (85°C) is noted on each driver label



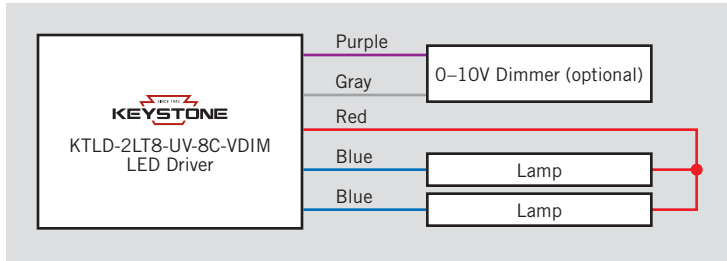
# EXTERNAL DRIVE LED

TYPE C LED TUBES

## KTLD-2LT8-UV-8C-VDIM

CONSTANT CURRENT LED DRIVER FOR TYPE C T8 LAMPS

### WIRING



### STANDARD LEAD LENGTHS\*

Input	Black	30.00"
	White	30.00"
Output	Red	30.00"
	Blue	30.00"
Dimming	Purple	30.00"
	Gray	30.00"

Lead wires are 18 AWG 105° C/600V.

\*Consult Keystone for special lead length requirements.

### ORDERING INFORMATION

Order Code	Pack Quantity	Item Status
KTLD-2LT8-UV-8C-VDIM-CP	25	Active

### CATALOG NUMBER BREAKDOWN

# KTLD-2LT8-UV-8C-VDIM

- 1
- 2
- 3
- 4
- 5
- 6

- 1 Keystone Technologies LED Driver
- 2 Number of Lamps
- 3 Lamp Type
- 4 120-277V Input
- 5 Lamp Wattage
- 6 0-10V Dimming