



KTEB-332-UV-IS-L-P

T8 ELECTRONIC BALLAST

Version D1



DESCRIPTION

3×F32T8 | 120-277 Multi-Voltage | HPF | Instant Start

STARTING METHOD: Instant
LAMP CONNECTION: Parallel
INPUT VOLTAGE: 120-277VAC ±10%
INPUT FREQUENCY: 50/60 Hz
POWER FACTOR: High
WARRANTY: 5 Years



PRODUCT FEATURES

- 2014 DOE Compliant
- Sound Rated: A
- Maximum Ambient Temperature: 105°F, 40°C
- Maximum Case Temperature: 167°F, 75°C
- Meets FCC Part 18 (Class A) Non-Consumer Limits
- Meets ANSI Standard C82.11 and C62.41
- UL, cUL Listed Class P, Type 1 Outdoor
- Anti-Striation Circuitry
- Type HL

ELECTRICAL SPECIFICATIONS

LAMP TYPE	NO. OF LAMPS	INPUT VOLTS	INPUT WATTS	INPUT CURRENT (AMPS)	POWER FACTOR	BALLAST FACTOR	BALLAST EFFICACY FACTOR	MAX THD%	CREST FACTOR	MIN START TEMP	WIRING DIAGRAM
F32T8 (32W)	3	120	73.5	0.63	>0.9	0.78	1.06	10	<1.7	0°F, -18°C	F3-2
		277	72.1	0.27	>0.9	0.78	1.08	10	<1.7	0°F, -18°C	F3-2
	2	120	55.7	0.47	>0.9	0.90	1.62	10	<1.7	0°F, -18°C	F2-5
		277	55.1	0.20	>0.9	0.90	1.63	12	<1.7	0°F, -18°C	F2-5
F32T8 (30W)	3	120	67.0	0.57	>0.9	0.78	1.16	10	<1.7	60°F, 16°C	F3-2
		277	66.0	0.25	>0.9	0.78	1.18	12	<1.7	60°F, 16°C	F3-2
	2	120	50.1	0.42	>0.9	0.90	1.80	10	<1.7	60°F, 16°C	F2-5
		277	49.8	0.19	>0.9	0.90	1.81	12	<1.7	60°F, 16°C	F2-5
F32T8 (28W)	3	120	66.2	0.56	>0.9	0.78	1.18	10	<1.7	60°F, 16°C	F3-2
		277	65.2	0.24	>0.9	0.78	1.20	12	<1.7	60°F, 16°C	F3-2
	2	120	47.7	0.42	>0.9	0.90	1.89	10	<1.7	60°F, 16°C	F2-5
		277	48.7	0.19	>0.9	0.90	1.85	12	<1.7	60°F, 16°C	F2-5
F32T8 (25W)	3	120	57.7	0.50	>0.9	0.78	1.35	10	<1.7	60°F, 16°C	F3-2
		277	57.3	0.22	>0.9	0.78	1.36	12	<1.7	60°F, 16°C	F3-2
	2	120	46.6	0.39	>0.9	0.90	1.93	10	<1.7	60°F, 16°C	F2-5
		277	46.4	0.17	>0.9	0.90	1.94	12	<1.7	60°F, 16°C	F2-5
F25T8	3	120	57.7	0.48	>0.9	0.78	1.35	10	<1.7	0°F, -18°C	F3-2
		277	57.3	0.21	>0.9	0.78	1.36	12	<1.7	0°F, -18°C	F3-2
	2	120	42.9	0.36	>0.9	0.90	2.10	10	<1.7	0°F, -18°C	F2-5
		277	42.8	0.16	>0.9	0.90	2.10	12	<1.7	0°F, -18°C	F2-5
F17T8	3	120	40.6	0.33	>0.9	0.80	1.97	10	<1.7	0°F, -18°C	F3-2
		277	40.7	0.15	>0.9	0.80	1.97	12	<1.7	0°F, -18°C	F3-2
	2	120	31.1	0.26	>0.9	0.92	2.96	10	<1.7	0°F, -18°C	F2-5
		277	31.3	0.12	>0.9	0.92	2.94	12	<1.7	0°F, -18°C	F2-5
F40T8	2	120	66.4	0.57	>0.9	0.84	1.27	10	<1.7	0°F, -18°C	F2-5
		277	65.4	0.24	>0.9	0.84	1.28	12	<1.7	0°F, -18°C	F2-5



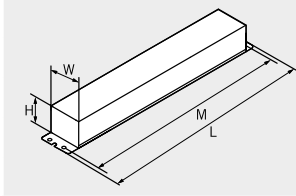
KTEB-332-UV-IS-L-P

T8 ELECTRONIC BALLAST

Version D1

PHYSICAL SPECIFICATIONS

CASE DIMENSIONS



LENGTH	9.50"
WIDTH	1.30"
HEIGHT	1.18"
MOUNTING	9.00"
CASE STYLE	L4

STANDARD LEAD LENGTH*

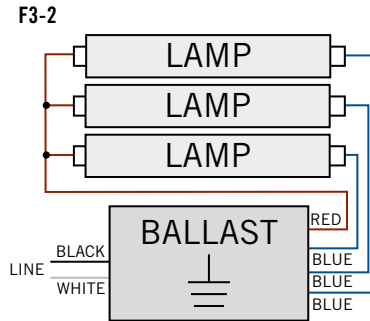
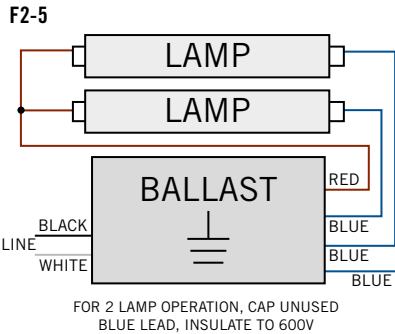
WHITE	25"
BLACK	25"
BLUE	31"
RED	37"

* Consult Keystone for special lead length requirements.

CASE MATERIAL: Steel

Lead wires are 18 AWG 105 C/600V, solid copper.

WIRING DIAGRAMS



ORDERING INFORMATION

ORDER CODE	PACKAGING STYLE	PACK QTY.	ITEM STATUS
KTEB-332-UV-IS-L-P-CP	Carton Pack	10	Quick Ship
KTEB-332-UV-IS-L-P-DP	Distributor Pack		

NOTE: Version D1 (Manufacturing Revision). Prior versions of this ballast exist. Spec sheets for prior versions available upon request. Contact Keystone for details.

CATALOG NUMBER BREAKDOWN

KTEB-332-UV-IS-L-P-CP

