



KTEB-226-1-TP

COMPACT FLUORESCENT BALLAST



DESCRIPTION

2 x 26W CFL | 120V | Normal Power Factor

STARTING METHOD: Rapid
LAMP CONNECTION: Parallel
INPUT VOLTAGE: 120VAC ±10%
INPUT FREQUENCY: 60 Hz
BALLAST FACTOR (LIGHT OUTPUT): Normal
WARRANTY: 3 Years



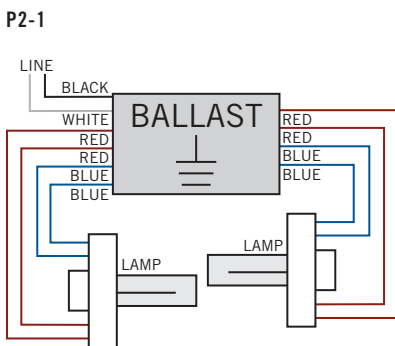
PRODUCT FEATURES

- Sound Rated: A
- Minimum Starting Temperature: 0°F, -18°C
- Maximum Case Temperature: 167°F, 75°C
- Meets FCC Part 18 (Class B) Consumer Limits
- Transient Protection Meets ANSI/IEEE C62.41 Cat. A
- Ballast Frequency for All Listed Lamps: 20KHz-30KHz
- Lamp End-of-Life Protected

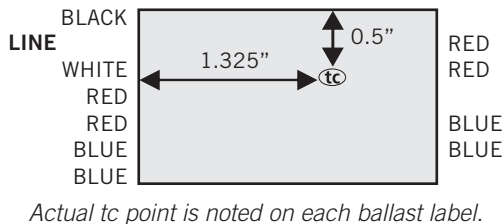
ELECTRICAL SPECIFICATIONS

Lamp Type	No. of Lamps	Input Volts	Input Watts	Input Current	Power Factor	Crest Factor	Ballast Factor	Ballast Efficacy Factor	Max THD
CFQ26W/G24q	2	120V	49W	0.75A	0.55	1.50	0.95	1.94	150%

WIRING DIAGRAM



HOT SPOT LOCATION



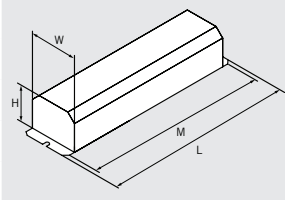


KTEB-226-1-TP

COMPACT FLUORESCENT BALLAST

PHYSICAL SPECIFICATIONS

CASE DIMENSIONS



LENGTH	6.46"
WIDTH	1.86"
HEIGHT	0.94"
MOUNTING	6.00"
CASE STYLE	C6

ORDERING INFORMATION

ORDER CODE	PACKAGING STYLE	PACK QTY.	ITEM STATUS
KTEB-226-1-TP-CP	Carton Pack	TBD	Quick Ship

CATALOG NUMBER BREAKDOWN

KTEB-226-1-TP-CP

Keystone Technologies Electronic Ballast	No. of Lamps	Wattage	120V Input	Thermally Protected	Packaging Style
---	-----------------	---------	---------------	------------------------	--------------------