



KT-HBLED-PM-1B-KIT

STEEL PENDANT MOUNT KIT

DESCRIPTION

Option 1B Steel Pendant Mount Kit for LED Linear High Bay fixtures.

APPLICATION

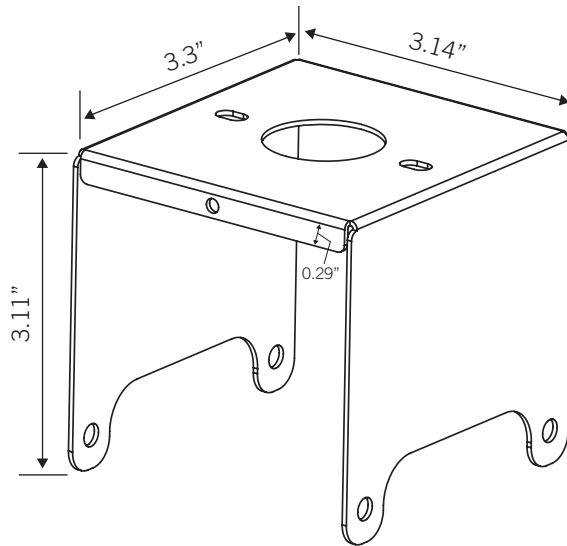
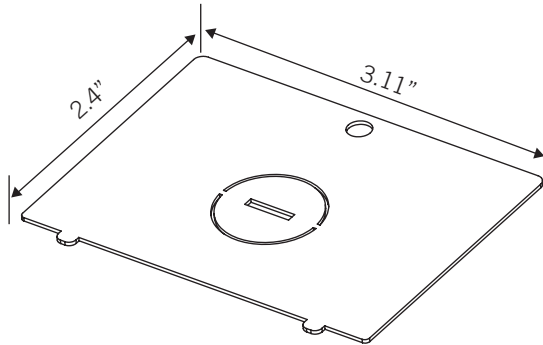
Fits all Keystone "2FB" High Bay fixtures

FEATURES

Includes: Steel Plate & Screws



PHYSICAL SPECIFICATIONS



ORDERING INFORMATION

Catalog Number	Pack Quantity	Easy Code	UPC
KT-HBLED-PM-1B-KIT	TBD	XAA-31	843654133706

CATALOG NUMBER BREAKDOWN

KT-HBLED-PM-1B-KIT

- 1
- 2
- 3
- 4
- 5

- 1 Keystone Technologies
- 2 High Bay LED
- 3 Pendant Mount
- 4 Style
- 5 Kit

The Lighting – Super Store

unbeatable prices
unparalleled selection

wholesale warehouse club - no membership fees

LightBulbSurplus

Light More, Pay Less