



# KT-EMRG-LED-12-1200-AC /DF

## CONSTANT WATTAGE LED EMERGENCY BACK-UP DRIVER

### DESCRIPTION

LED Emergency Back-Up Driver | Dual Flex output | 120 - 277V input



RoHS Compliant

5 YEAR WARRANTY

**DRIVER TYPE:** Constant Wattage LED Emergency

**MAX. OUTPUT POWER:** 12W

**INPUT VOLTAGE:** 120–277Vac ±10%

**OUTPUT VOLTAGE:** 40–100Vdc

**OUTPUT CURRENT:** Load Dependent

**WARRANTY:** 5 Years



### PRODUCT FEATURES

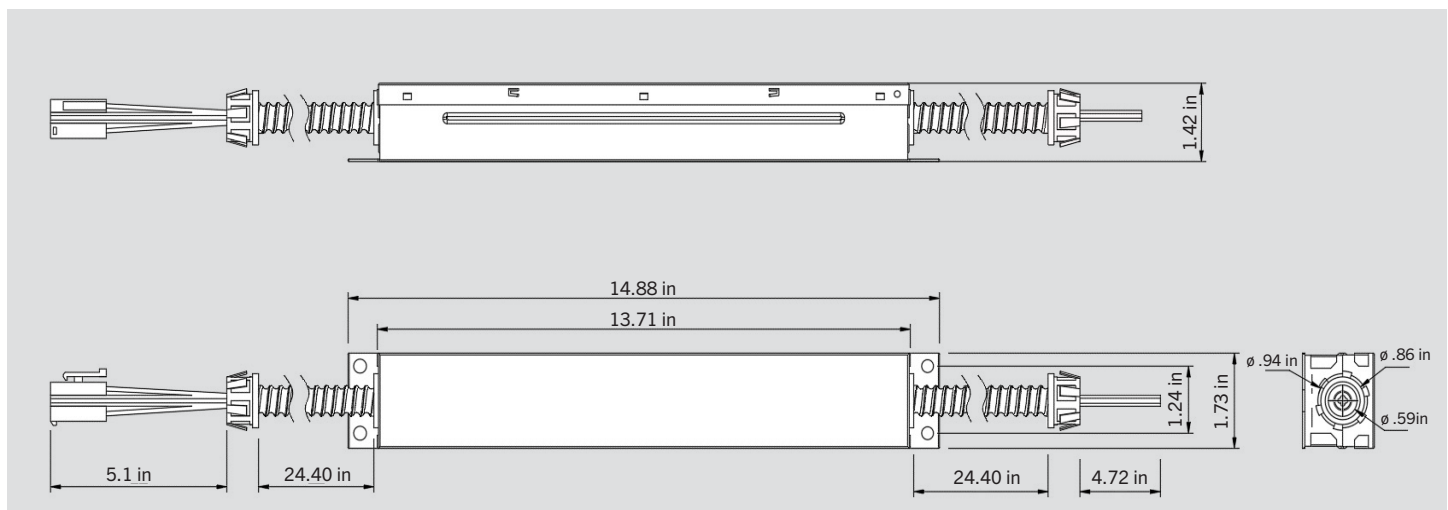
- Optimized for Keystone direct drive LED tubes. Contact Keystone for details on functioning with other Type B LED tubes
- Illuminates entire LED load at reduced output under emergency mode
- One-piece design with metal housing
- 2-in-1 LED test switch and indicator light included
- Not for use with dimmers
- Evaluated to UL 924 requirements
- 90-minute operation in emergency mode
- UL listed
- Operating temperature: 0°C/32°F to 50°C/122°F
- Input frequency: 50/60 Hz
- Safety Standard: UL 924, Complies with CEC Title 20 Efficiency Standards
- Dual-flex conduit fits into 1/2" knockouts

### ELECTRICAL SPECIFICATIONS

Family	INPUT CHARACTERISTICS			OUTPUT CHARACTERISTICS			
	Input Voltage	Power Factor	Max. Current	Max. Output Power	Rated Output Current	Output Voltage	Output Current
12W	120–277Vac	≥ 0.35	100mA @120V	10–12W	Load Dependent	40–100Vdc	200–750mA

Emergency pack designed to deliver 12W to a constant current LED load. Approximate output is 1200 lumens, assuming a nominal minimum efficacy of 100lm/W.

### PHYSICAL SPECIFICATIONS

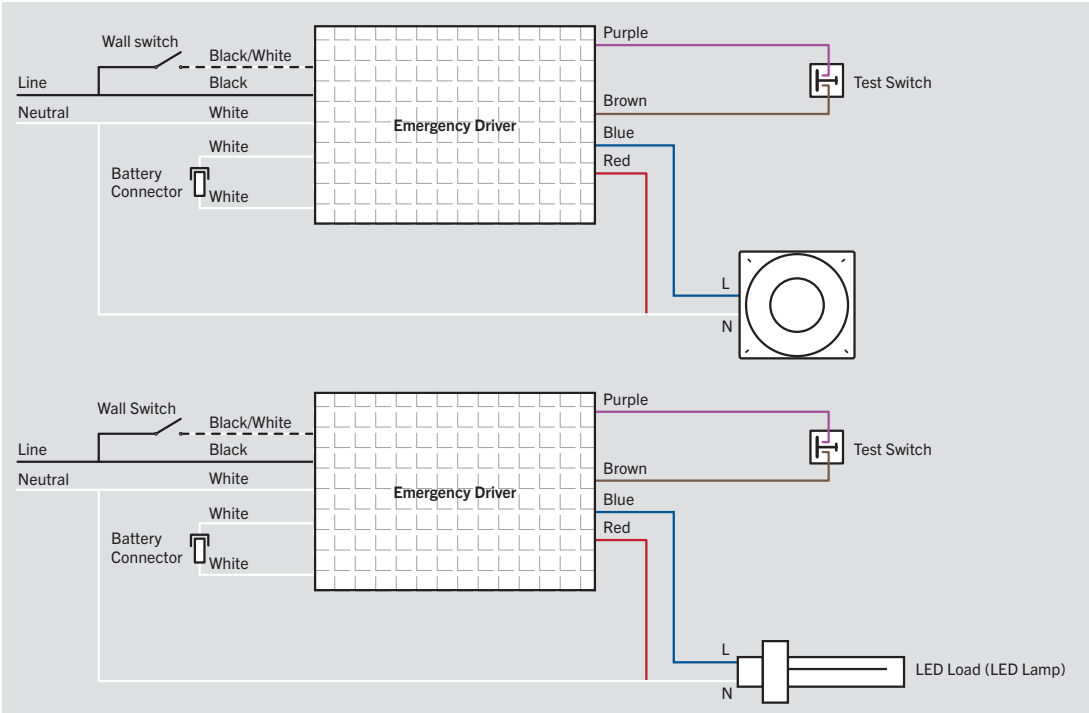




# KT-EMRG-LED-12-1200-AC /DF

## CONSTANT WATTAGE LED EMERGENCY BACK-UP DRIVER

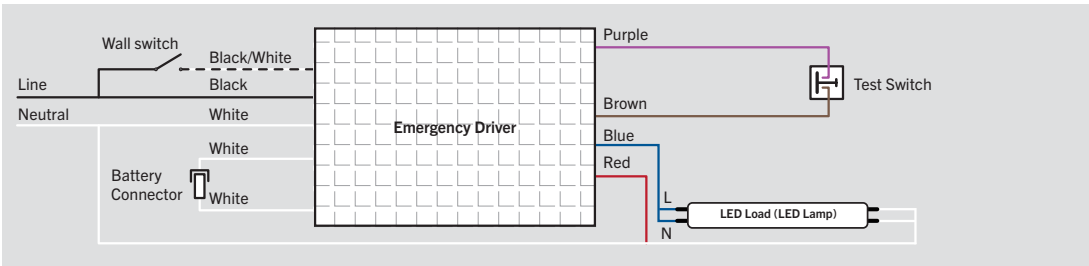
### WIRING DIAGRAM



### WIRE SPECIFICATIONS

Wire Color	Wire Length	
	mm	Inches
Black/White	760 mm	29.92"
Black	760 mm	29.92"
White	760 mm	29.92"
Purple	760 mm	29.92"
Brown	760 mm	29.92"
White	760 mm	29.92"
White	760 mm	29.92"
Blue	760 mm	29.92"
Red	760 mm	29.92"

### Wiring for Double Ended Lamps



### ORDERING INFORMATION

ORDER CODE	PACK QTY.	EASY CODE	UPC
KT-EMRG-LED-12-1200-AC /DF	1	MPM-43	843654139890

### CATALOG NUMBER BREAKDOWN

# KT-EMRG-LED-12-1200-AC /DF

1
2
3
4
5
6
7

- 1** Keystone Technologies
- 2** Emergency Back-Up Driver
- 3** LED Driver
- 4** Wattage Family
- 5** Nominal Lumen Output
- 6** Alternating Current
- 7** Dual Flex